



Special Instructions to Reverse the Door Swing

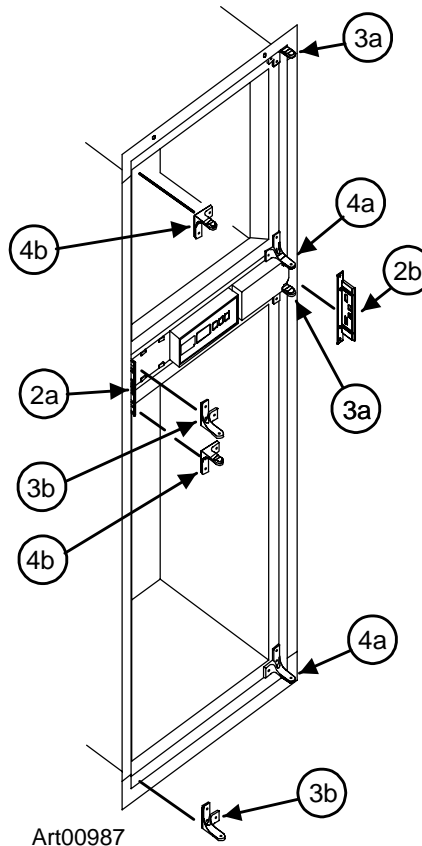
This refrigerator has door hinges that allow you to change the direction the door opens by moving the hinges on a diagonal to the opposite side.

1. Remove the doors:

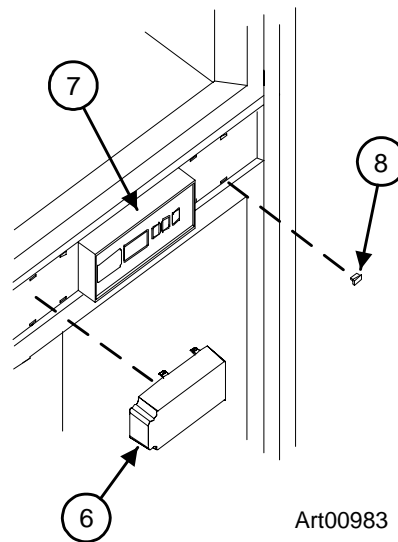
- Remove the storage bins from the doors.
- Remove and save both hinge pins [1] from each door.
- Pull the door latch and remove each door away from the refrigerator.

2. Change the position of the cabinet hinges and the strike plate:

- Remove and save the screws from the strike plate [2a].
- Remove the two plastic hole caps that are near the strike plate.
- Remove the L-shaped plastic covers that are opposite the hinges.
- Remove and save the screws from the upper cabinet hinge [3a] of each door.
- Put each of these hinges on the other side of the refrigerator as the lower hinge [3b].
- Attach each of these hinges with screws.
- Remove and save the screws from the lower cabinet hinge [4a] of each door.



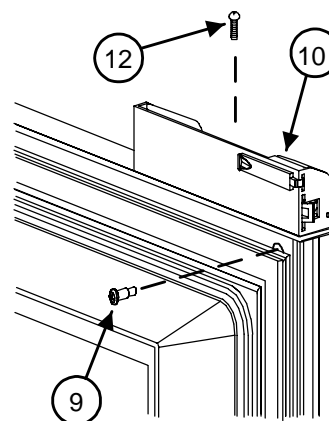
- Put each of these hinges on the other side of the refrigerator as the upper hinge [4b].
- Attach each of these hinges with screws.
- Put the L-shaped plastic covers over the holes that were used by the hinge screws.
- Remove the four plastic caps [8] that are between the door handles.
- Gently push the top and bottom of the front box [6] toward each other and pull the front box away from the refrigerator.
- Reverse the front box and put it on the opposite side of the controls [7].
- Push the tabs on the front box into the holes of the refrigerator.
- Put the strike plate on the opposite side of the refrigerator [2b].
- Put the two round plastic caps into the holes that are near the strike plate.
- Put plastic caps [8] into the holes that were used by the front box.



Art00983

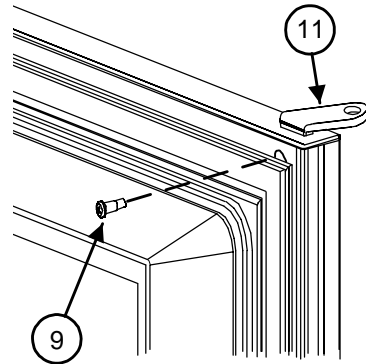
3. Change the position of the door handles and the door hinges:

- Remove the plastic cap that is opposite the upper hinge of the upper door.
- Pull back the gasket inside each door and remove the cap screw [9] from the door handle [10] and door hinge [11].
- Remove the round head screw [12] and door handle from each door.
- Remove the upper hinge of each door.
- Put each of these hinges on the other side of the door as the lower hinge.
- Attach each of these hinges with a cap screw.



Art00984

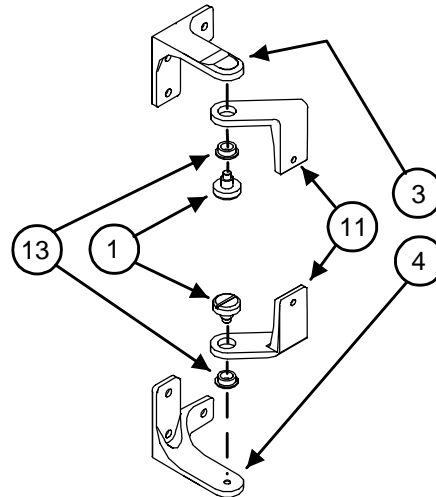
- The recommended torque for each cap screw is 35 in.-lbs.
- Remove the lower hinge of each door.
- Put each of these hinges on the other side of the door as the upper hinge.
- Attach each of these hinges with a cap screw.
- Reverse each door handle and put the lower door handle on the upper door and the upper door handle on the lower door.
- Attach each door handle with a cap screw and a round head screw.
- Put the plastic cap into the hole that is opposite the upper hinge of the upper door.



Art00985

4. Reinstall the doors:

- Make sure each hinge bushing [13] is in the correct position.
 - Put each hinge bushing into the bottom side of each door hinge.
- Pull each door in the position on the refrigerator.



Art00986

- NOTE:** To prevent damage to the threads of the hinge pins, turn the hinge pins by hand until tight and then tighten with a screwdriver.
- Align the hinges and put the hinge pins into each door.
 - Tighten the hinge pins.
 - Put the storage bins in the doors.

619572