



900 & 9100 Series Refrigerators

Installation Requirements for Models:

9162 9163 9182 9183
962 963 982 983

 **WARNING**

Improper installation, adjustment, alteration, service, or maintenance can cause injury or property damage. Read this manual. For assistance or additional information consult a qualified installer, service agency, or a gas supplier.

NORCOLD
P O BOX 4248
SIDNEY OH 45365-4248

Table of contents


| | | | |
|--|---|--|--------|
| Safety Awareness | 2 | Gas Supply and Connection..... | 7 |
| Product Specifications..... | 3 | 120 Volt AC Supply and Connection..... | 8 |
| Certification and Codes..... | 3 | 12 Volt DC and Supply Connection..... | 8 |
| Preparing for Installation | 4 | Supply Wire and Fuse Size..... | 9 |
| Certified Enclosure Requirements | 4 | Door Panels | 9 |
| Ventilation Requirements | 4 | Test Gas Supply Piping..... | 9 |
| Certified Vents and Dimensions..... | 5 | Flame Failure Safety Device Check..... | 10 |
| Certified Vent Installation | 5 | Hypot Test..... | 10 |
| Optimum Clearance Requirements..... | 6 | Lighting Instructions | 10, 11 |
| Alternate Construction..... | 6 | Diagnostic Codes and Meanings | 10, 11 |
| Combustion Seal/Trim Piece..... | 7 | | |


Read this manual carefully and become thoroughly acquainted with its contents before installing this refrigerator.

NOTICE: THIS APPLIANCE IS NOT APPROVED FOR USE AS A FREE-STANDING REFRIGERATOR OR FOR MARINE APPLICATIONS. THIS APPLIANCE IS EQUIPPED FOR LP GAS AND CANNOT BE CONVERTED TO ANY OTHER FUELS (NATURAL GAS, BUTANE, ETC.).

Be alert to potential Safety Hazards when the Safety Alert Symbol  appears on the refrigerator or in this manual.

A signal word (i.e. Warning or Caution) accompanying the Safety Alert Symbol identifies the severity of the Safety Hazard. Review the safety symbols and signal words below. Carefully read their descriptions to understand their meaning. They are for your safety.

 **Warning indicates the presence of a hazard that can cause severe personal injury, death, or substantial property damage if ignored.**

 **Caution indicates the presence of a hazard that will or can cause minor personal injury or substantial property damage if ignored.**

- Improper installation, adjustment, alteration, and unauthorized or improper servicing and maintenance of this refrigerator can cause severe personal injury, property damage, or both.
- Propane gas can cause an explosion that can result in property damage, personal injury or death. Never smoke or light a flame when working gas appliances.
- Ground the 120 VAC circuit in compliance with any applicable local, state, or national codes. Never cut or remove the round grounding prong from the refrigerator's AC power cord. Do not use a two-prong adapter. Do not use an extension cord.
- Protect all wiring from physical damage, vibration, and excessive heat.
- Keep liquids away from electrical connections. Many liquids are electrically conductive and could cause serious arcing damage and fires.

- Never bend, drop, drill, weld, manipulate, or hammer the refrigerant system. Doing so can cause the system to rupture, releasing chemicals that can irritate eyes and skin.
- This refrigerator has sharp edges and corners at the rear. Use care when working on this refrigerator. To prevent cuts or abrasions, wear cut resistant gloves.
- The refrigerator must be installed on a solid and level floor away from heat generating sources. The floor must be strong enough to support the combined weight of the refrigerator and its food load.
- Never install the refrigerator directly on carpeting. To protect carpeting, the refrigerator must be placed on a metal or wood panel extending at least the full width and depth of the refrigerator.
- When discarding an appliance, remove all doors to prevent accidental entrapment and suffocation.
- Never bypass or alter the refrigerator's electrical components or features.
- Follow Norcold's Ventilation and Installation recommendations explicitly. Installation must assure complete isolation of the living space of the vehicle from the refrigerator's combustions system. Inspect foam strip around refrigerator before installing. Replace if necessary.
- Keep the refrigerator and the surrounding area clear and free of combustible materials, gasoline, and other flammable vapors and liquids.
- A circuit overload can result in an electrical fire when undersized wires or improperly sized fuses are used. To prevent a possible electrical fire, follow ANSI A119.2 Standards, Norcold's wire and fuse specifications, or applicable state and local codes.
- Use two wrenches when manipulating the gas inlet fitting. Failure to use two wrenches can over stress the tubing and create gas leaks.
- Combustion and ventilation vents must be installed as directed in this manual without modification.

This refrigerator is designed to operate with the following energy sources:

| | |
|-------------------------|---|
| LP Gas Operation | 11 inches Water Column Propane 12 volts DC control voltage (15.4 volts max. - 10.5 volts min.) |
| AC Operation | 120 volts AC voltage (132 volts max. - 108 volts min.) 12 volts DC control voltage (15.4 volts max. - 10.5 volts min.) |
| DC Operation | 12 volts DC (15.4 volts max. - 11.5 volts min.) |

Operation where these specifications are exceeded can damage the refrigerator's electrical circuit and its related components and will void the refrigerator's warranty.

Certification and Code Requirements

This appliance is certified under the latest edition of ANSI Z21.19 by The American Gas Association (A.G.A.) and is approved by the Canadian Gas Association (CGA).

Installation must be made in accordance with these standards and with the following installation instructions for Norcold's factory warranty to be in effect.

Installation must conform with local codes, or in the absence of local codes, with the following standards as applicable.

In the United States:

- National Fuel Gas Code, ANSI Z223.1.
- Manufactured Home Construction and Safety Standard, Title 24 CFR, Part 32-80.
- Standard for Recreational Vehicles, ANSI A119.2 latest edition.



When an external electrical energy source is utilized, the refrigerator must be electrically grounded in accordance with local codes, or in the absence of local codes, the National Electrical Code, ANSI/NFPA 70.

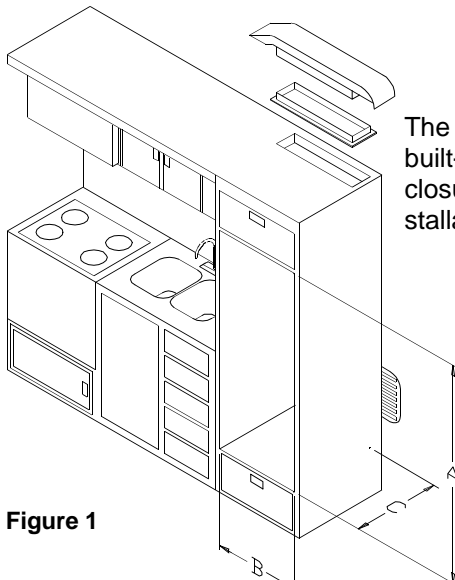
In Canada:

- a. Current CGA B149.1 and CGA B149.2 installation code for Propane Appliances and Equipment.
- b. Current CSA Z240.4.2 Installation Requirement for Propane Appliances and Equipment in Recreational Vehicles.
- c. Current CSA Z240.6.2/C22.2 No. 148 Electrical Requirement for Recreational Vehicles.



When installed, the refrigerator must be electrically grounded in accordance with Canadian Electrical Code C22.2 Parts 1 and 2.

Preparing for Installation



The refrigerator is certified for built-in installation. Follow enclosure requirements for installation certification.

Figure 1

Certified Refrigerator Enclosure Requirements

- Solid level floor
- Do not place refrigerator directly on carpet.
- Place refrigerator on metal or wood panel extending at least full width and depth of refrigerator.
- Floor must support refrigerator and it's food load
- No adjacent heat sources
- No combustible materials stored near the refrigerator
- Enclosure Cut-Out Dimensions:

| | 982/983 9182/9183 | 962/963 9162/9163 |
|------------|----------------------|----------------------|
| Height (A) | 59 7/8" | 52 7/8" |
| Width (B) | 23 1/2" | 23 1/2" |
| Depth (C) | 24" | 24" |

Refrigerator Ventilation Requirements



WARNING Hazardous gas! Carbon monoxide can cause nausea, fainting, or death. Inadequate ventilation or partial blockage of refrigerator's flue can result in increased carbon monoxide emissions when operating in the gas mode. To prevent emission of hazardous levels of carbon monoxide, installation must assure complete isolation of the living space of mobile home or R.V. from refrigerator's combustion system. Follow Norcold's Ventilation and Installation recommendations explicitly.

Venting is required in an R.V. refrigerator application to remove products of combustion, to isolate the living space of the vehicle from the refrigerator's combustion system, to remove excess heat from refrigerator's cooling system generator area, and to remove heat that is extracted from the refrigerator cabinet.

Certified installation requires that one intake vent and one exhaust vent be used. Refer to Table 1 on page 4. To insure adequate refrigerator performance, a continuous air flow is required across the refrigerator's cooling system.

The intake vent also serves as a service access door. The bottom of the intake vent opening **must** be flush with or below the surface on which the refrigerator is mounted. This configuration allows any leaking propane to ventilate to the outside of the coach.

The air passage from the intake vent to the refrigerator coils and from the refrigerator coils through the exhaust vent must be unobstructed.

The vents for this refrigerator have been certified by A.G.A. and CGA and must be installed as directed in this manual without modification. Any deviation or substitution:

1. Can result in carbon monoxide levels in the living space of the vehicle.
2. Will void the agencies' certifications.
3. Will void the refrigerator warranty.
4. Will effect refrigerator performance.

Table 1 - Certified Vents and Their Dimensions

Note: Combination of lower intake vent and exhaust vent makes up Norcold Vent kit no. 3.

| Cut - Out Dimensions - inches(cm) | | | | | | | |
|-----------------------------------|---------------|--------------|---------------|-------------------|----------------|--------------|-----------------|
| Part No. | Type | Exhaust Vent | | Lower Intake Vent | | | Approved Models |
| | | Length | Width | Height | Width | Radius | |
| 617778 | Plastic | -- | -- | 13 3/4 (34.93) | 21 1/2 (54.61) | -- | All Models |
| 616010 | Square Corner | -- | -- | 13 3/4 (34.93) | 21 3/4 (55.25) | -- | All Models |
| 616009 | Radius Corner | -- | -- | 13 3/4 (34.93) | 21 7/8 (55.56) | 3 1/4 (8.26) | All Models |
| 615998 | Radius Corner | -- | -- | 13 3/4 (34.93) | 21 7/8 (55.56) | 3 1/4 (8.26) | All Models |
| 615791 | Exhaust Vent | 24 (60.96) | 5 1/4 (13.34) | -- | -- | -- | All Models |

Certified Vent Installation Requirements

- Certified Vent Kit No. 3 installed without modification.
- Intake (lower) vent installed flush with or below the surface on which the refrigerator is mounted
- Exhaust (upper) vent centered directly over the condenser of the refrigerator's cooling unit
- Unobstructed air flow at rear

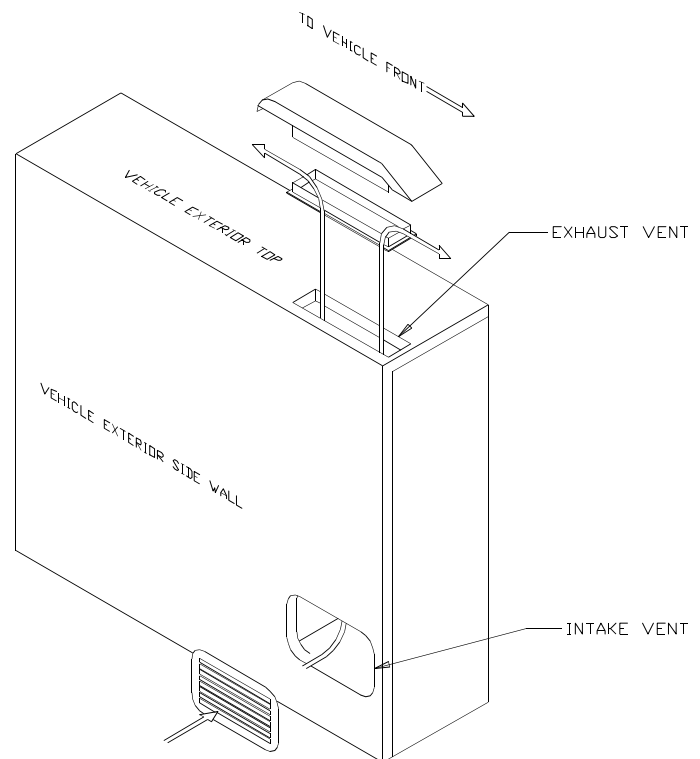


Figure 2

A.G.A. and CGA certification permits installing the refrigerator with zero (0) inches clearance between the refrigerator and any adjacent walls. This certification does not specify any maximum clearance. However, to insure adequate air flow across the cooling system, the clearances must be minimized. The recommended clearances between the refrigerator and any adjacent walls or surfaces are illustrated in Figure 3.

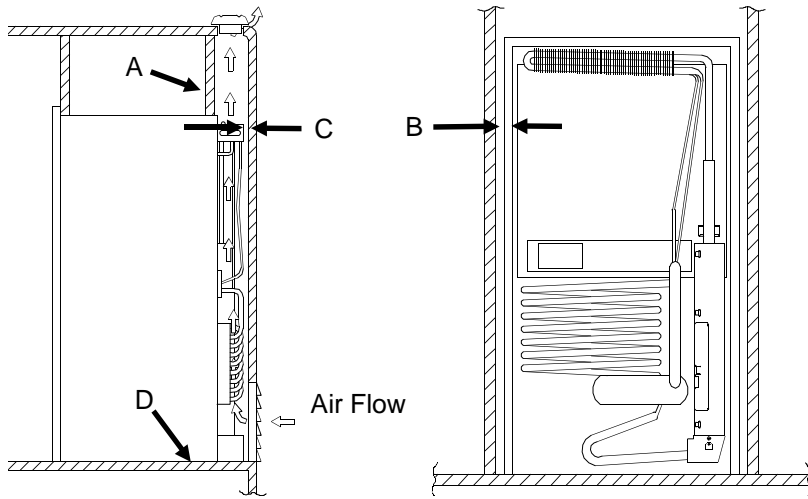


Figure 3 The combination of the two vents and the clearances defined provide the necessary air flow through the creation of a natural draft, or "chimney effect," across the cooling system.

Optimum Clearance Requirements

- Minimum clearances between the refrigerator and all adjacent walls and surfaces:
 - (A) 0 - 1/4 inch at the top of the refrigerator
 - (B) 0 - 1/2 inch at the sides of the refrigerator
- Note: Side clearances in excess of 1/2 inch must be either filled with fiberglass batting or blocked with paneling, etc.**
- (C) 0-1 inch at the rear of refrigerator
- (D) 0 inches at the bottom of the refrigerator

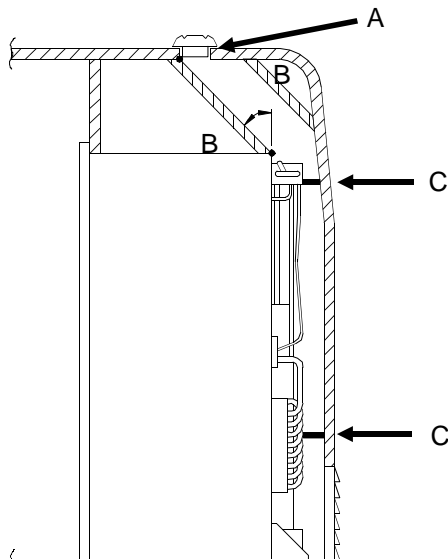


Figure 4

Alternate Construction Requirements

- Exhaust (upper) vent opening (A) is inboard in relation to the rear of the refrigerator
- Baffles (B) added to top of refrigerator to assist in directing air flow out the exhaust vent
- Angle between baffles (B) and rear top edge of the refrigerator not to exceed 45 degrees
- Deflectors (C) added at rear locations adjacent to the cooling unit condenser and absorber coils to reduce clearance to 1 inch max.
- Side clearances are the same as illustrated in Figure 3

Combustion Seals Inspection and Trim Piece Installation

Combustion seals are attached to the back surface of the mounting flanges (top, bottom, and both sides). These seals isolate the products of combustion from the vehicle's living space. When installing or removing the refrigerator, insure that the seal strips are not disturbed.

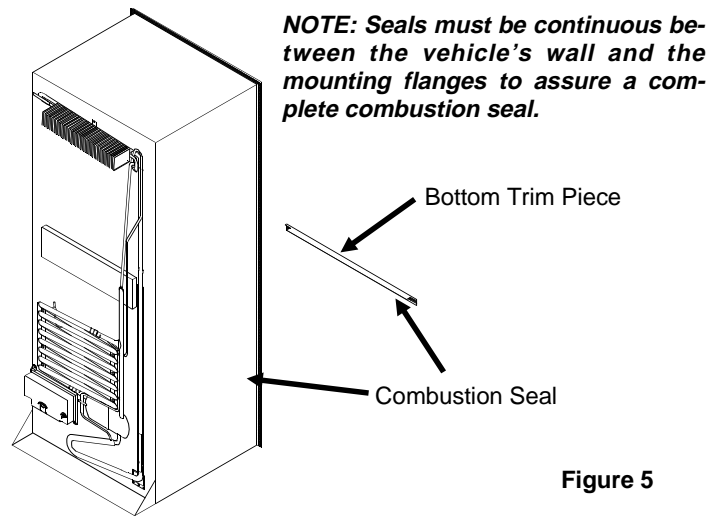


Figure 5

Remove the bottom trim piece and the mounting screws from bag located in the coils at rear of the refrigerator. Slide refrigerator into enclosure until only four (4) inches of refrigerator remain outside enclosure. Roll the bottom trim piece into place as illustrated in Figure 6. Slide refrigerator securely against vehicle's interior wall. Using the four screws provided, secure the refrigerator to vehicle's interior wall through holes in the top and bottom trim pieces. Press screw covers into trim pieces. Additional mounting holes are provided at the bottom rear of the refrigerator. Norcold recommends that at least two of these holes be used to mount the refrigerator.

Top Trim Piece = No. 1 Mounting Screws = No.2 Screw Covers = No. 3

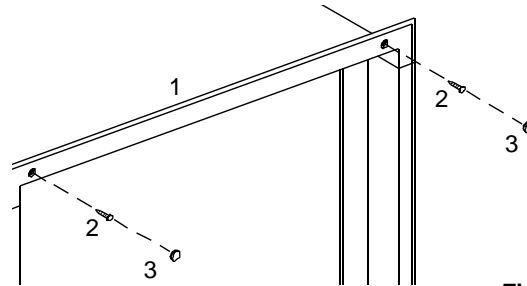
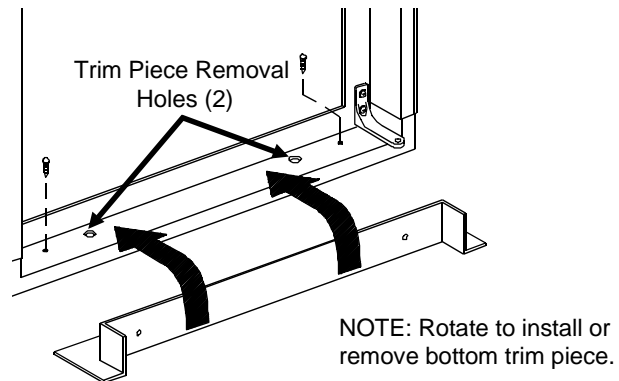


Figure 6

To remove bottom trim piece from refrigerator, remove screw covers and all mounting screws. Pull refrigerator forward to gain access to bottom trim piece removal holes. From the bottom of refrigerator, insert a screwdriver through the holes to release bottom trim piece. Pull top trim piece forward for removal. ***Do not omit installation of the bottom and top trim pieces. These trim pieces are part of the combustion seal.***



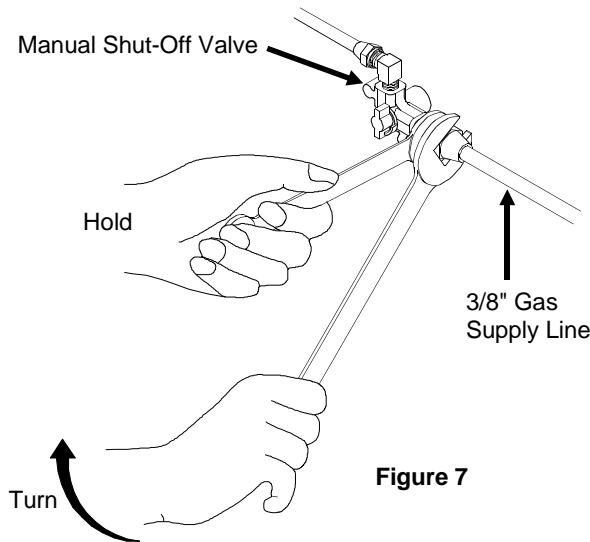
Gas Supply and Connection

This refrigerator is designed to operate on propane gas at a supply pressure of 11 inches water column. A pressure regulator is required between the refrigerator and the main gas tank. ***Do not connect the refrigerator directly to the main propane tank without a pressure regulator.***

Use supply piping and fittings that comply with local, state, and national codes governing type and size. These components should also comply with NFPA 501C. Flexible metal connectors must comply with current CAN1-6.10 Standard. To prevent gas pressure loss to refrigerator, the propane should be supplied by 3/8 inch diameter copper piping. The gas supply piping is connected to refrigerator by means of a 3/8 inch SAE (UNF 5/8-18) male flare connection.

Route the gas supply piping to limit the possibility of vibration and abrasion. The gas supply piping should enter the refrigerator enclosure near the gas connection at the rear of the refrigerator. The hole through which the gas piping enters should be of sufficient size (approximately 1/2 inch diameter) to provide adequate clearance for the piping. Once the gas piping is in place, apply a sealant around the piping at its point of entry to minimize abrasion and vibration, and to serve as a barrier to external moisture.

CAUTION: Use two wrenches when manipulating the gas inlet fitting. Failure to use two wrenches can over stress the tubing and create gas leaks.



The gas supply is connected to the refrigerator at the inlet to the manual gas valve located at the bottom rear of the refrigerator. Access to this area is obtained through the vehicle's vent door. Care must be taken when connecting the gas line to the refrigerator to insure the fittings are secure.

Figure 7

120 Volt AC Supply and Connection

WARNING This refrigerator is designed to operate on a 120 volt, 60 Hertz grounded AC circuit. The refrigerator's AC power cord is equipped with a three-prong grounding plug which must mate with a three-prong grounded receptacle to protect against possible shock hazards. Operating the refrigerator without proper ground can cause property damage, severe personal injury, or death. It is the installer's responsibility and obligation to provide a properly grounded circuit to the refrigerator in accordance with local codes, or in the absence of local codes, the National Electrical Code, ANSI/NFPA 70. Do not cut or remove the round grounding prong from the refrigerator's AC power cord. Do not use a two-prong adapter or extension cord.

The free length of the refrigerator's AC power cord is 37 3/4 inches. It is recommended that the three-prong grounded receptacle be located within reach of the refrigerator's AC power cord. The refrigerator's AC power cord must be routed so as not to contact the refrigerator's burner, flue pipe, or any other component which could cause damage to the cord insulation.

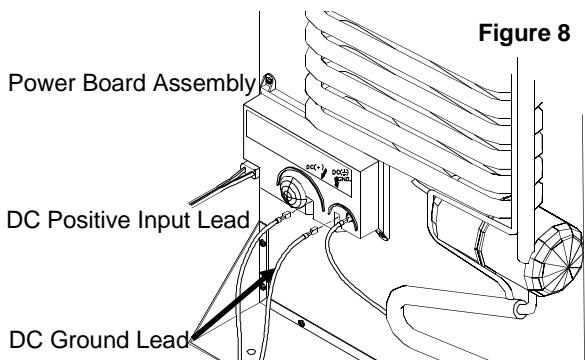


Figure 8

12 Volt DC Supply and Connection

12 volt DC is required to maintain the refrigerator's operating control functions. 12 volt DC connects to the power board at (2) one quarter inch quick connects terminals as shown in Figure 6. The positive DC input connects to terminal labeled "DC+", and the DC ground lead connects to the terminal labeled "DC \perp ". **Correct polarity must be observed when connecting the DC supply.** Do not use chassis of refrigerator or vehicle frame as one of the conductors. Connect supply wires at battery and route to refrigerator.

The distance the current travels from the battery to the refrigerator dictates the wire size. Undersized wire can result in a voltage drop, which will affect the wattage output of the DC heater and result in reduced refrigerator performance. Norcold recommends the installation of a fuse in the supply wiring between the battery and the refrigerator. For optimum protection, install the fuse as close to the battery as possible.



WARNING A circuit overload can result in an electrical fire when undersized wires or improperly sized fuses are used. To prevent a possible electrical fire, follow ANSI A119.2 Standards, Norcold's wire and fuse specifications, or applicable state and local codes.

Table 2
Recommended Wire and Fuse Size:

| | Models 962, 982, 9162, 9182 | | Models 963, 983, 9163, 9183 | |
|----------|-----------------------------|----------------|-----------------------------|----------------|
| | Min. Wire Size | Max. Fuse Size | Min. Wire Size | Max. Fuse Size |
| 0' - 20' | 18 AWG | 6 AMP | 10 AWG | 30 AMP |
| over 20' | 18 AWG | 6 AMP | 8 AWG | 40 AMP |

Door Panels

Refrigerator doors allows insertion of decorative panels. Prepare panels to the following specifications:

| Models | Upper Door | | Lower Door | | Panel Thickness |
|------------------------|------------|-----------|------------|-----------|-----------------|
| | Height | Width | Height | Width | |
| 962, 963 9162, 9163 | 14 17/32" | 21 19/32" | 31 5/8" | 21 19/32" | 3/16" max. |
| 982, 983 9182, 9183 | 14 17/32" | 21 19/32" | 38 5/8" | 21 19/32" | 3/16" max. |

Door Panel Insertion - Both Doors

- Open door(s).
- Grasp top of panel holder and pull away from the door.
- Slide decorative door panel into door frame slots.

To re-install door panel holder:

- Align the bottom of panel holder with groove in door.
- Rotate top of panel holder into the door groove.
- Press along panel holder to insure that it is firmly seated.

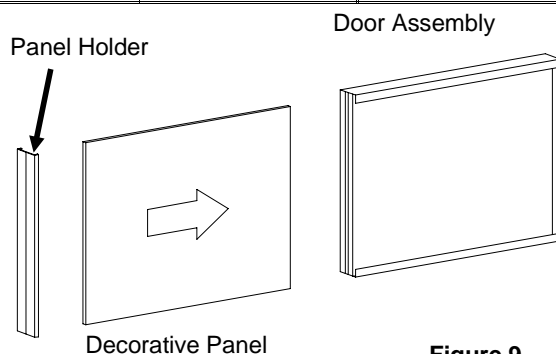


Figure 9

Note: It may be necessary to seat the panel holder on the opposite side of the door.

Testing the Vehicle's Gas Supply Piping

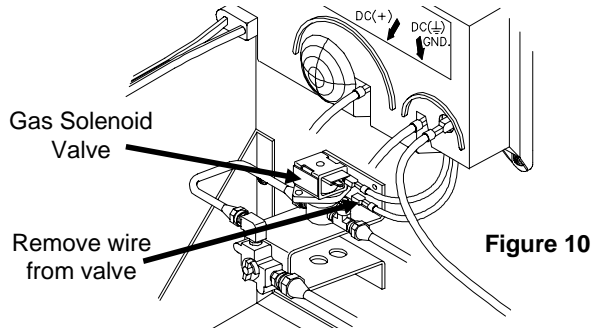
The propane gas supply piping must be inspected and tested for leaks from the refrigerator to main gas supply tank. Use a leak detection solution. Do not test for leaks with an open flame.

If compressed air is used for leak testing, the gauge pressure must not exceed 1/2 pound per square inch (14 inches water column).

The appliance and its individual shut-off valve must be disconnected from gas supply system during any pressure testing of that system at test pressures greater than 1/2 psig (14 inches water column).

The appliance must be isolated from gas supply system by closing its individual manual shut-off valve during any pressure testing of that system at test pressures equal to or less than 1/2 psig (14 inches water column).

Check gas pressure to the refrigerator without other gas appliances operating. The pressure should not exceed 11 inches water column. With other appliances operating the pressure should not be less than 10.5" water column.



Flame Failure Safety Device Check Out

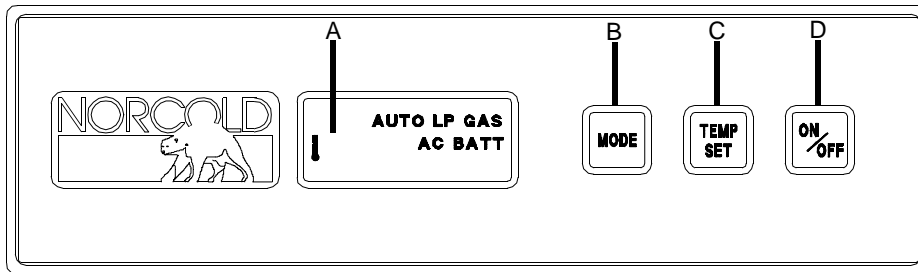
The purpose of the gas safety device is to prevent escape of unburned gas from burner if the burner flame is extinguished. While there is a flame present at burner, disconnect one wire from gas solenoid valve located at rear of refrigerator. Within 30 seconds, flame will go out, indicating the safety lock-out circuit is operational. Reconnect wire to the gas solenoid valve upon completion of test.

Hypot Test

A Dielectric Strength test (hypot) has been conducted at the factory; this refrigerator does not require an additional test. If hypot tests are conducted on the vehicle's 12 volt circuit, the 12 volts **must** be disconnected from the refrigerator to protect the flame ignition circuit.

Lighting Instructions - 900 Series

Note: 12 volt DC must be available for both the Auto and Manual modes.



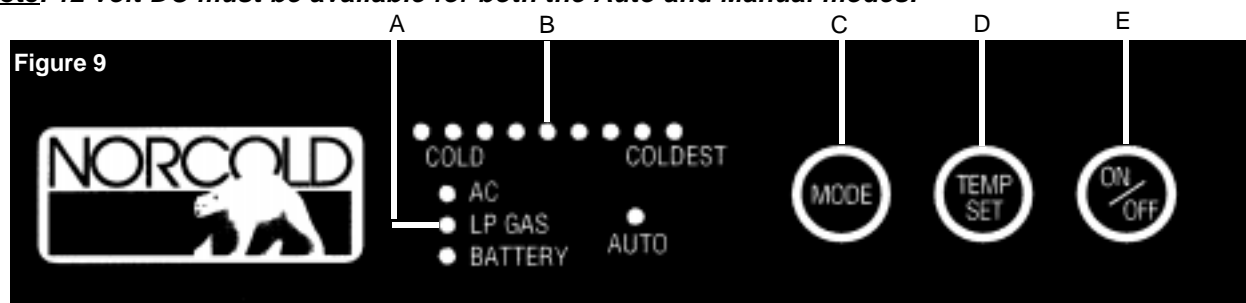
- 1. Auto Mode** - Push ON/OFF button (D) to start refrigerator in fully automatic mode. Push SET POINT (thermostat) button (B) to a mid range setting. If 120 volt AC is available, AUTO AC will be visible in center display window (A), indicating AC operation. If 120 volt AC is not available, AUTO LP GAS will be visible in center display window, indicating LP Gas operation.
- 2. Manual Mode** - Push ON/OFF button (D) to start refrigerator, press and hold mode selection button until LP GAS is visible in center display window. Push SET POINT (thermostat) button (C) to a mid range setting.

Note: If the gas does not ignite within 30 seconds, the refrigerator's gas valve will automatically close and the operating controls will revert to a stand-by mode in which an alarm will sound and the code "A1" will be displayed in the center display window. If the gas does not ignite after several attempts, refer to "Diagnostic Codes and Their Meanings" on page 10 for corrective actions.

- 3.** To turn refrigerator "OFF", push and hold "ON/OFF" button (D) for 2 seconds.

Lighting Instructions - 9100 Series

Note: 12 volt DC must be available for both the Auto and Manual modes.



1. **Auto Mode** - Push the ON/OFF button (E) to start the refrigerator in the fully automatic mode. Push the SET POINT" (thermostat) button (D) to a mid range setting. If 120 volt AC is available, AUTO LED and AC LED will illuminate, indicating AC operation. After 10 seconds, the AC LED will turn off and only the AUTO LED will remain illuminated. If 120 volt AC is not available, AUTO LED and LP GAS LED will illuminate. After 10 seconds, LP GAS LED will turn off and only the AUTO LED will remain illuminated. Press and release any button to display operating mode. Push the SET POINT (thermostat) button (D) to a mid range setting.

2. **Manual Mode** - Press and hold MODE selection button until AUTO LED disappears and LP GAS LED is the only LED illuminated. LP GAS LED will remain illuminated until an alternate mode is selected or the refrigerator is turned off.

Note: If the gas does not ignite within 30 seconds, the refrigerator's gas valve will automatically close and the operating controls will select an alternate energy source (AUTO MODE) or revert to a stand-by mode in which the LP GAS LED flashes, indicating flame ignition fault. If burner flame does not ignite after several attempts, refer to "Diagnostics" for corrective actions.

3. To turn the refrigerator "OFF", push and hold the "ON/OFF" button (D) for 2 seconds.

Table 3
900 and 9100 Series Diagnostic Fault Indicators and their Meanings

| 900 Series Codes | 9100 Series LED | Meanings | Corrective Actions |
|----------------------------------|---|--|---|
| No Illumination of Display Panel | No LED's | Control voltage unavailable to display panel | Check: 10.5 to 15.4 DC being supplied to refrigerator? Battery charging equipment Converter DC connection to the refrigerator Refrigerator's DC fuse (3 Amp - Control Fuse) Refer to Norcold's Service Manual |
| A1 & A2 | Flashing LP Gas LED (Flash, pause, flash, pause, etc.) | LP gas ignition fault (Initial start-up) | Check: 10.5 to 15.4 VDC being supplied to refrigerator? Have gas lines been purged? LP tank valve on? LP tanks empty? LP supply pressure 11" water column? Refrigerator's manual shut-off valve open? Refer to Norcold's Service Manual |
| A7 | Flashing BATTERY LED (flash flash, pause, flash flash, pause, etc.) | Fault external to refrigerator controls DC input voltage too low | Check: Battery(s) supplying DC to refrigerator Battery charging equipment Converter DC connection to the refrigerator Refer to Norcold's Service Manual |
| A8 | Flashing Battery LED (flash flash, pause, flash flash, pause, etc.) | Fault external to refrigerator controls DC input voltage too high | Check: Battery(s) supplying DC to refrigerator Battery charging equipment Converter DC connection to the refrigerator Refer to Norcold's Service Manual |

Note: For more information refer to the Operator's Guide or contact an authorized Norcold Service Center.