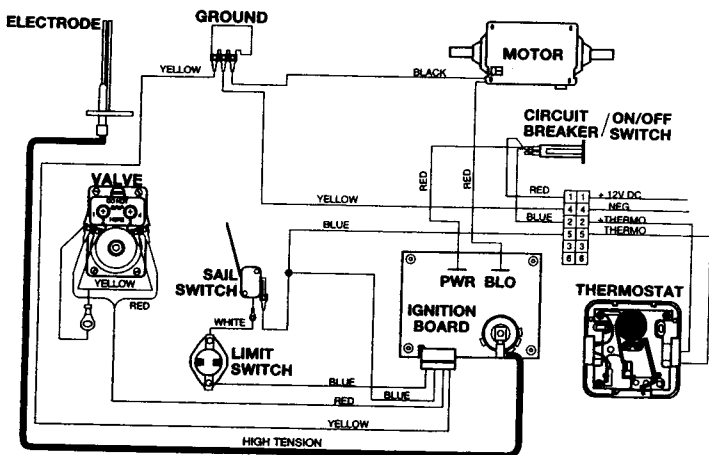


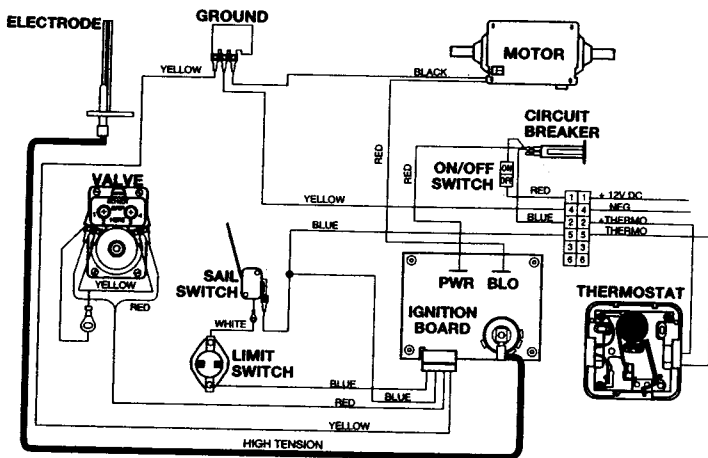
Wiring Diagram for 8900-III

DC Wiring Diagram WITHOUT DOOR

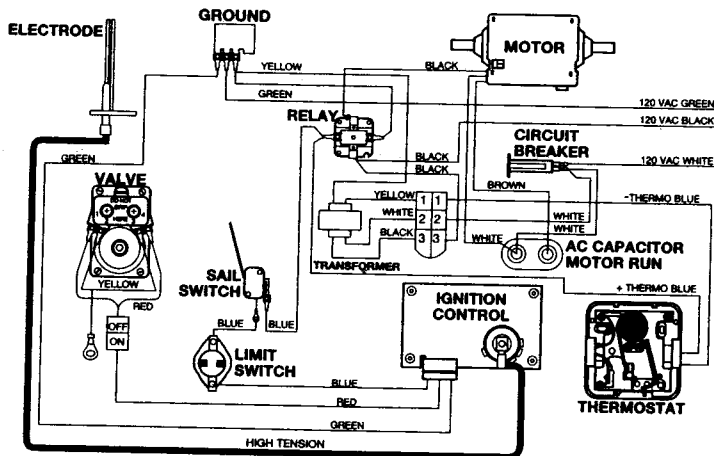


IMPORTANT:
If any original wire has to be replaced,
it must be replaced with type 105° C
or its equivalent.

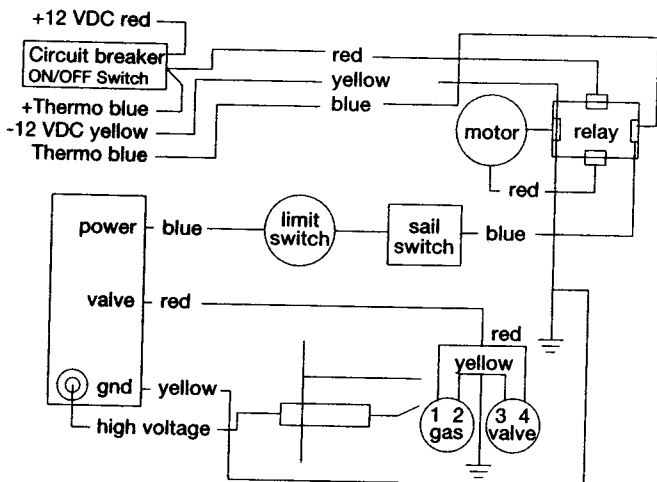
DC Wiring Diagram WITH DOOR



AC Wiring Diagram WITH DOOR



DC Wiring Diagram



Supply Leads Furnace Wiring

- (+) 12 volt DC to (+) 12 volt DC (red wire)
- (-) 12 volt DC to (-) 12 volt DC (yellow wire)
- thermostat to thermostat (blue wires)