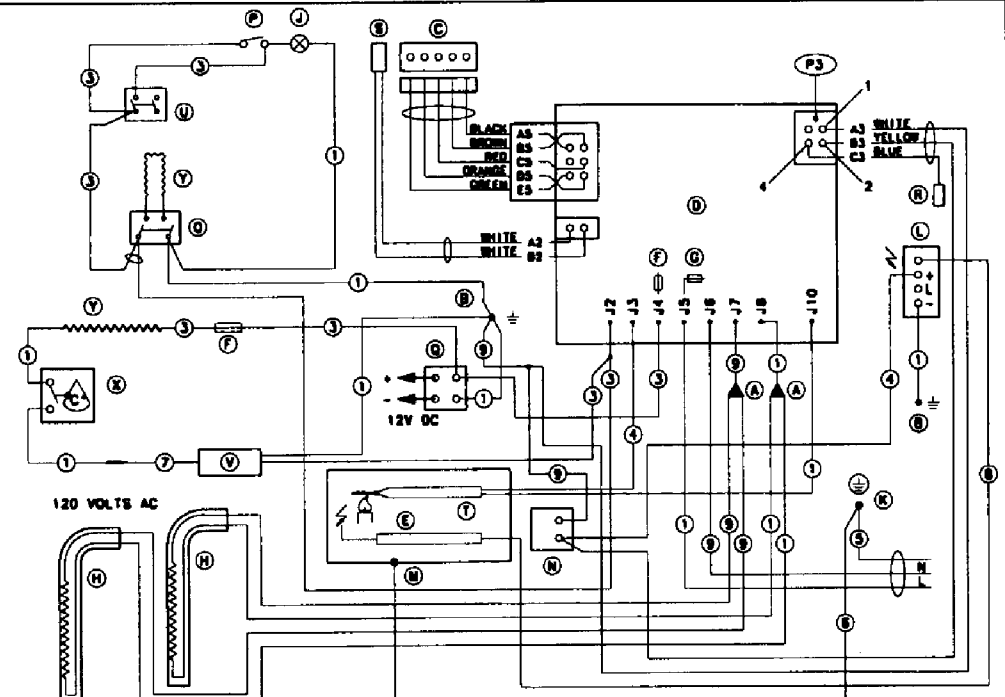
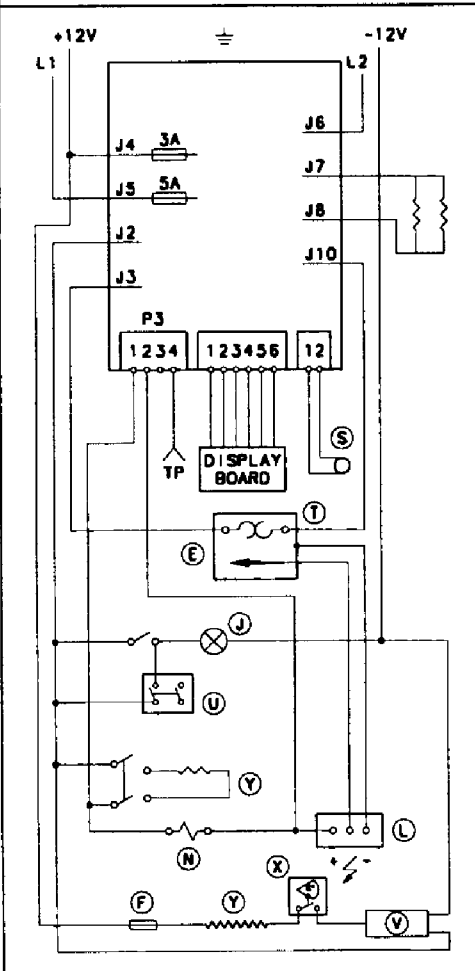
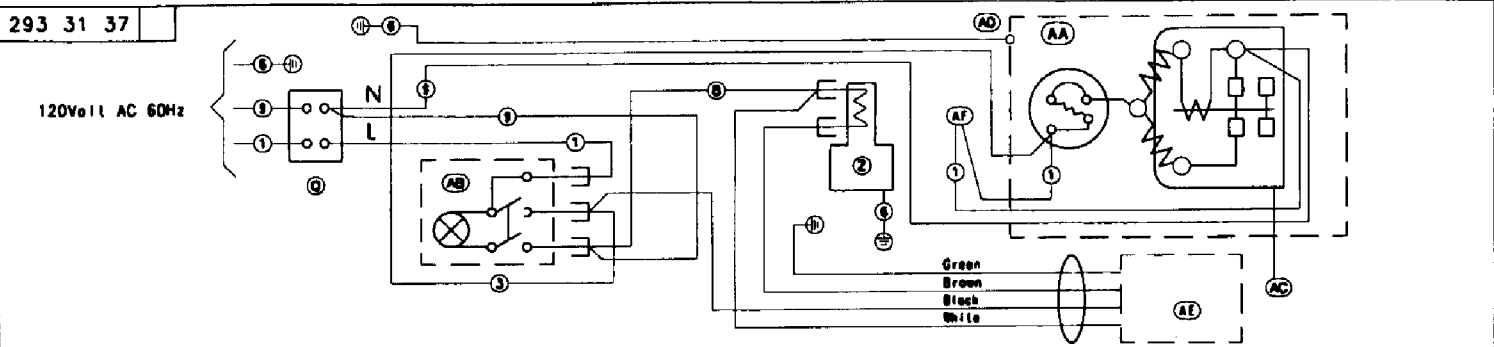


293 31 37

120Volt AC 60Hz



- |   |              |   |                       |   |                  |    |                  |
|---|--------------|---|-----------------------|---|------------------|----|------------------|
| 1 | BLACK        | A | BRANCHING CONTACT     | K | PROTECTIVE EARTH | V  | HEAT TAPE SWITCH |
| 2 | BROWN        | B | CHASSIS GROUND        | L | REIGNITER        | X  | THERMOSTAT       |
| 3 | RED          | C | CIRCUIT BOARD DISPLAY | M | RETAINER         | Y  | HEATING CABLE    |
| 4 | YELLOW       | D | CIRCUIT BOARD POWER   | N | SOLENOID VALVE   | Z  | WATER VALVE      |
| 5 | GREEN        | E | ELECTRODE             | O | SWITCH H.C       | AA | OVERLOAD         |
| 6 | GREEN/YELLOW | F | FUSE 3A               | P | SWITCH LIGHT     | AB | MAIN SWITCH      |
| 7 | BLUE         | G | FUSE 5A               | Q | TERMINAL BLOCK   | AC | RELAY            |
| 8 | GREY         | H | HEATER 120V AC        | R | TEST POINT       | AD | COMPRESSOR       |
| 9 | WHITE        | J | LIGHT                 | S | THERMISTOR       | AE | ICEMAKER         |
|   |              |   |                       | T | THERMOCOUPLE     | AF | FAN MOTOR        |
|   |              |   |                       | U | SWITCH L.A.T     |    |                  |