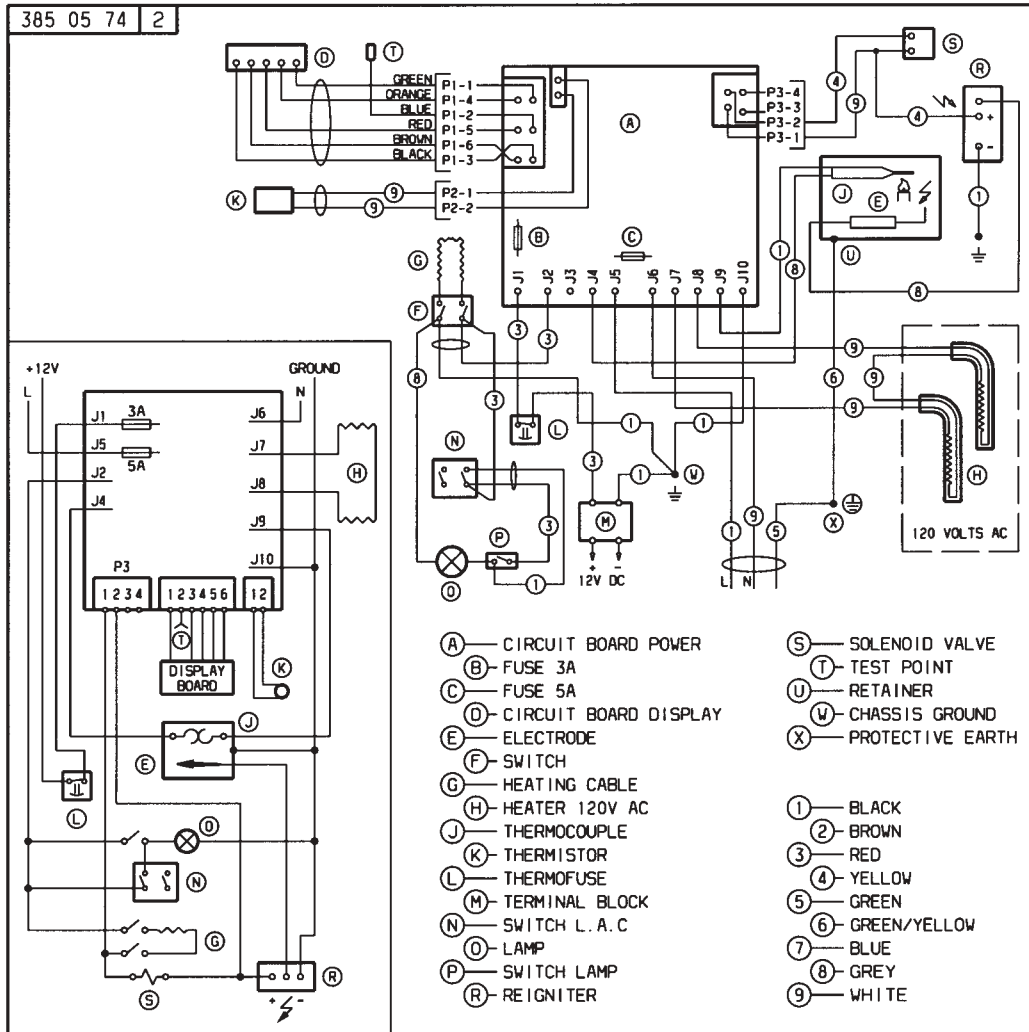


# WIRING DIAGRAM

NDR1292 921148109



N38505742