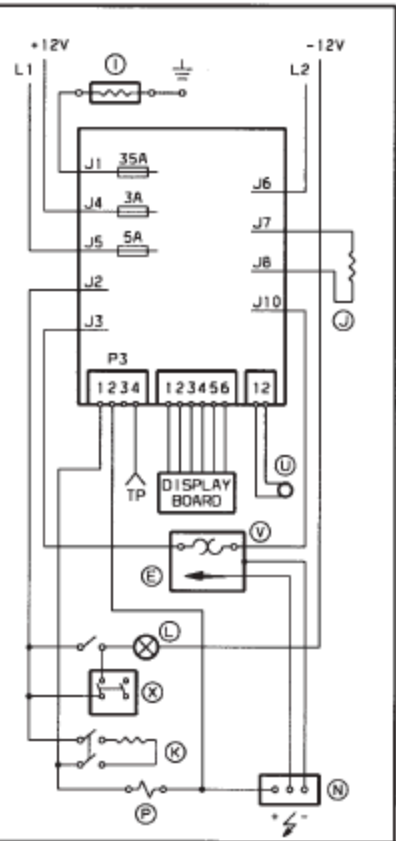
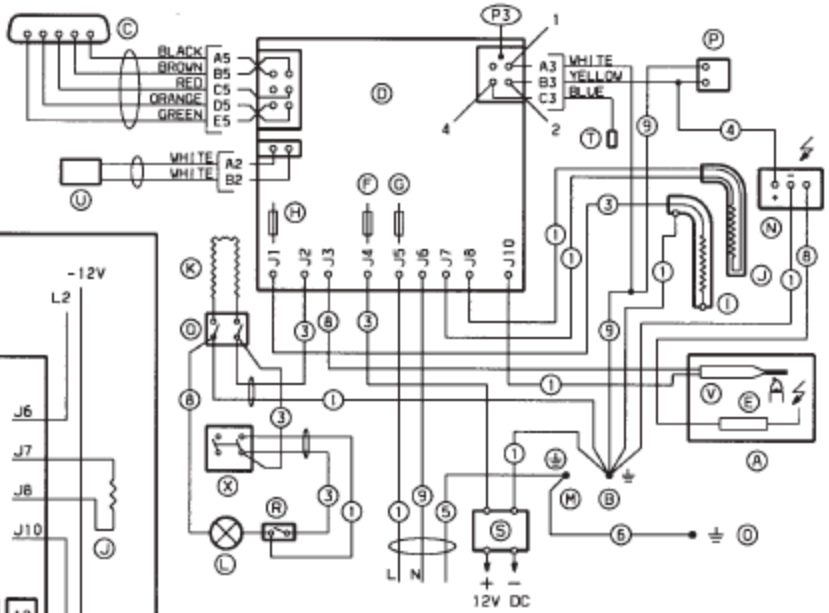


# RM3663 WIRING DIAGRAM

293 30 88 | 1



- |                             |                      |
|-----------------------------|----------------------|
| (A) — BURNER HOUSING        | (R) — SWITCH LIGHT   |
| (B) — CHASSIS GROUND        | (S) — TERMINAL BLOCK |
| (C) — CIRCUIT BOARD DISPLAY | (T) — TEST POINT     |
| (D) — CIRCUIT BOARD POWER   | (U) — THERMISTOR     |
| (E) — ELECTRODE             | (V) — THERMOCOUPLE   |
| (F) — FUSE 3A               | (X) — SWITCH L. A. T |
| (G) — FUSE 5A               |                      |
| (H) — FUSE 35A              |                      |
| (I) — HEATER 12V DC         | (1) — BLACK          |
| (J) — HEATER 120V AC        | (2) — BROWN          |
| (K) — HEATING CABLE         | (3) — RED            |
| (L) — LIGHT                 | (4) — YELLOW         |
| (M) — PROTECTIVE EARTH      | (5) — GREEN          |
| (N) — REIGNITER             | (6) — GREEN/YELLOW   |
| (O) — RETAINER              | (7) — BLUE           |
| (P) — SOLENOID VALVE        | (8) — GREY           |
| (Q) — SWITCH                | (9) — WHITE          |