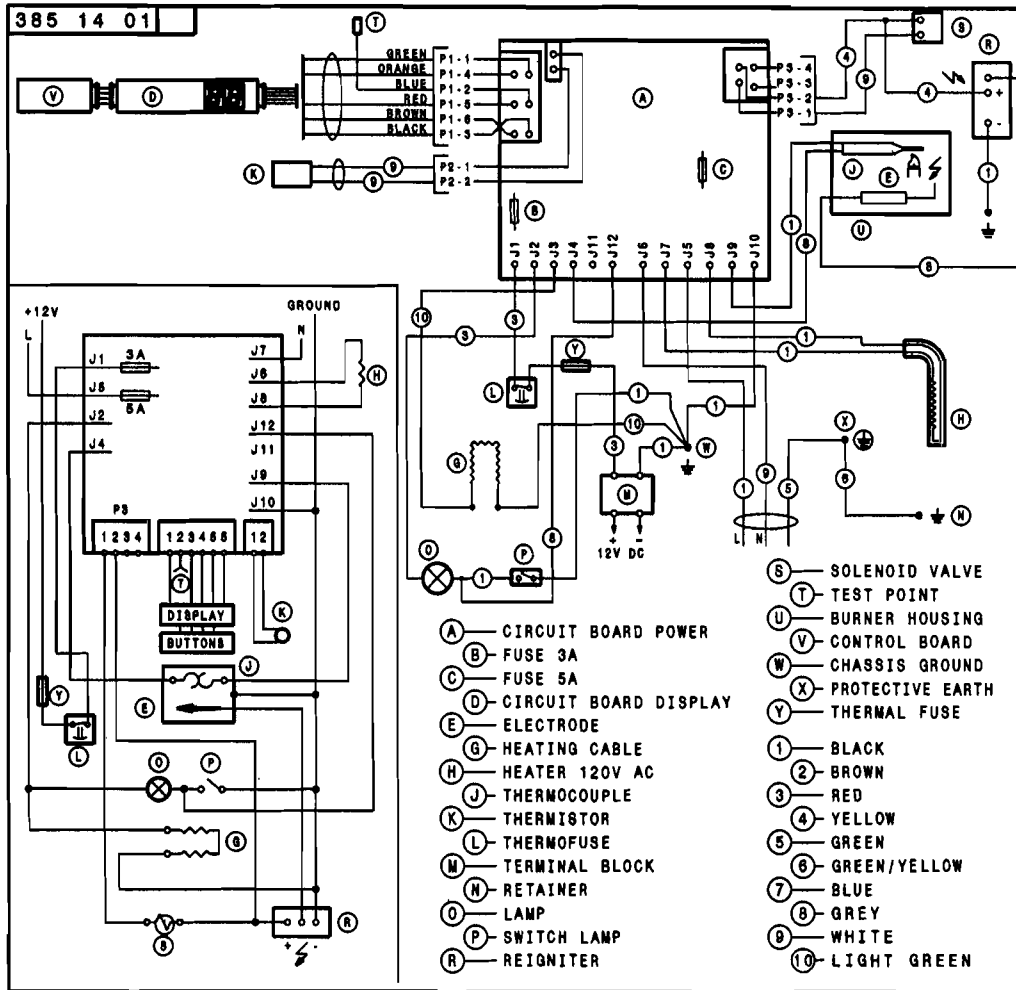


# WIRING DIAGRAM

RM3962 Prod No.921146233 = A

RM3962 Prod No. 921146234 = B



N38514010