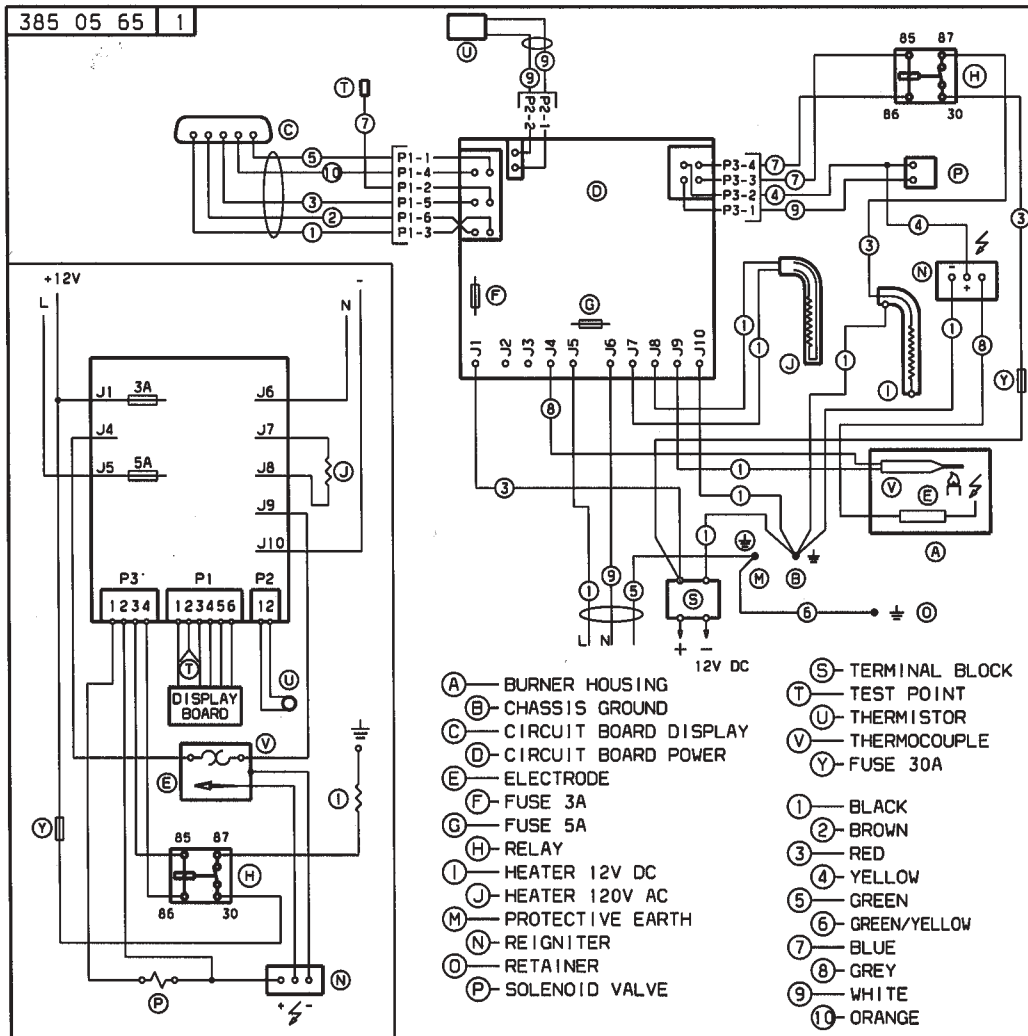


# WIRING DIAGRAM



N38505651