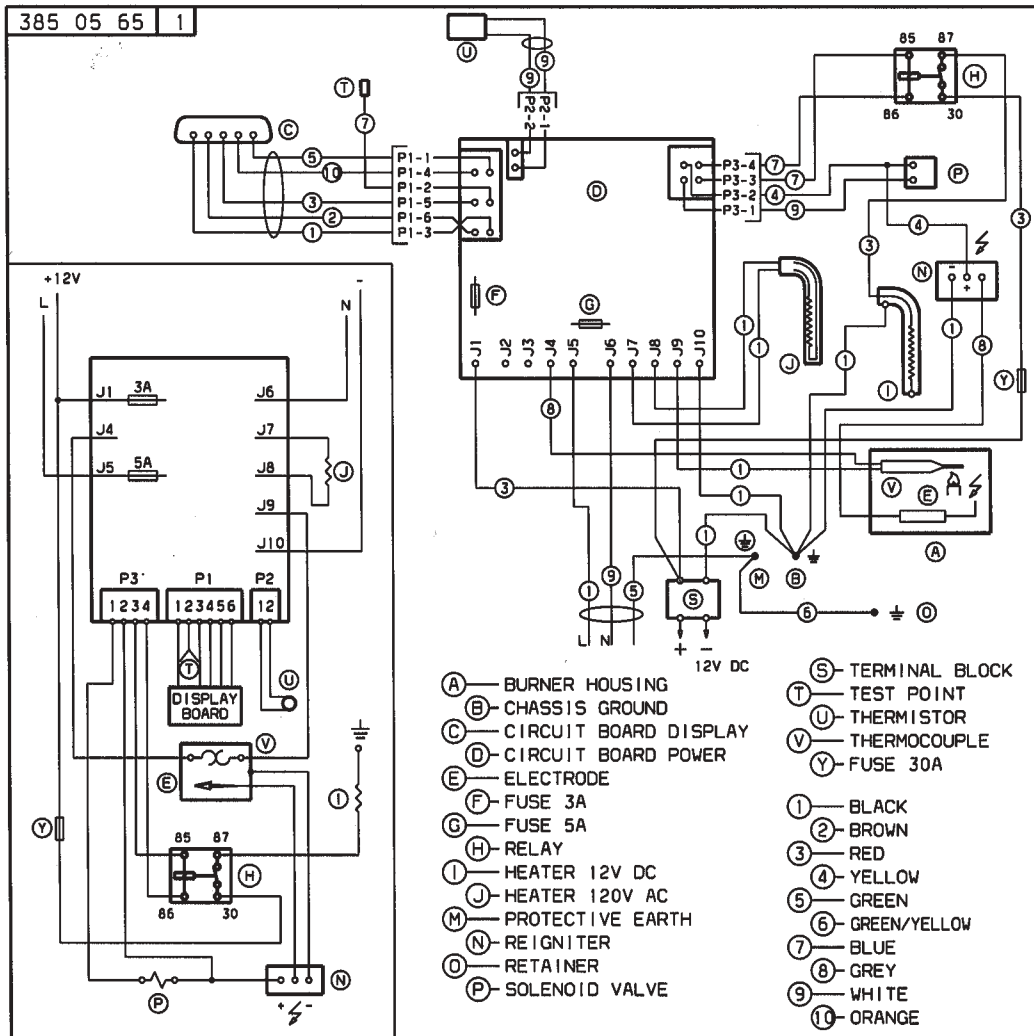


WIRING DIAGRAM



N38505651