

Dometic® **INSTALLATION AND OPERATING INSTRUCTIONS**

REFRIGERATOR FOR LP-GAS AND ELECTRIC OPERATION.

RM 2332 RM 2333

AMERICANA

FOR YOUR SAFETY

If you smell gas:

- 1. Open windows.**
- 2. Don't touch electrical switches.**
- 3. Extinguish any open flame.**
- 4. Immediately call your gas supplier.**

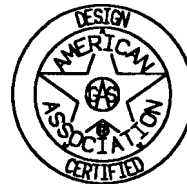
FOR YOUR SAFETY

Do not store or use gasoline or other flammable vapors and liquids in the vicinity of this or any other appliance.

WARNING: Improper installation, adjustment, alteration, service or maintenance can cause injury or property damage. Refer to this manual. For assistance or additional information consult a qualified installer, service agency or the gas supplier.

Contents:

	Page
Installation	4
Operating Instructions	9
Maintenance & Service	11



AVIS

Cet appareil doit être réparé seulement par un réparateur autorisé. Modification de l'appareil pourrait être extrêmement dangereuse, et pourrait causer mal ou mort.

Dometic®

Our goal . . . your satisfaction.

Corporate Office
2320 Industrial Parkway Elkhart, IN 46515

USA

Service Office
The Dometic Corporation
509 South Poplar Street
LaGrange, IN 46761
Phone: 219-463-4858

For Service Center Assistance

Call: 800-544-4881

CANADA

Dometic Distribution Inc.
866 Langs Drive
Cambridge, Ontario
N3H 2N7 Canada
Phone: 519-653-4390

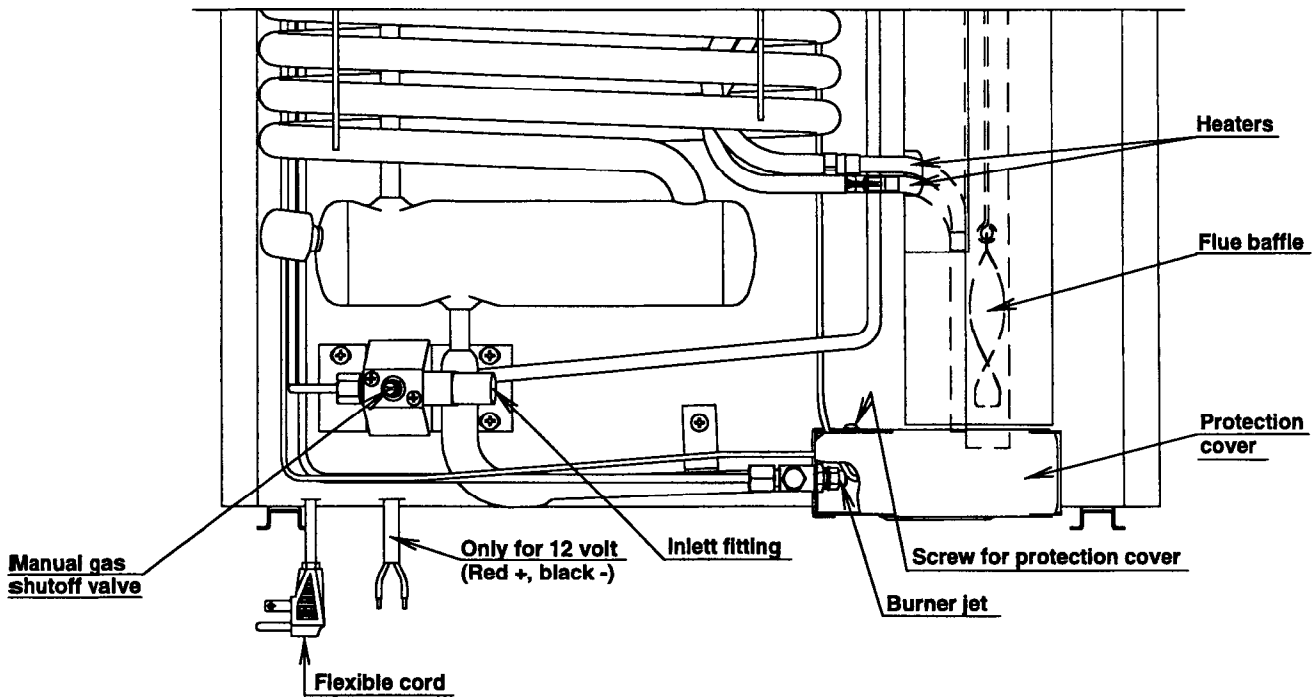
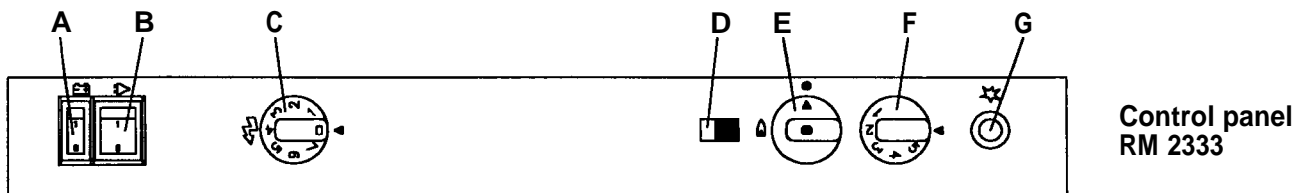
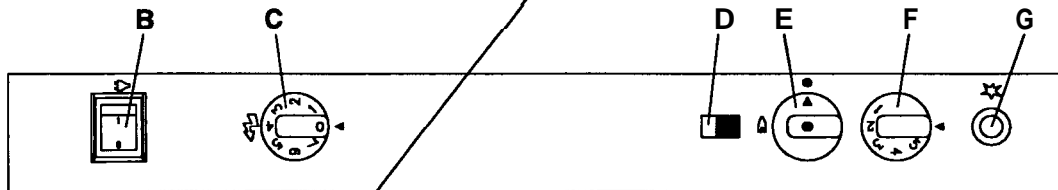


FIG. 1

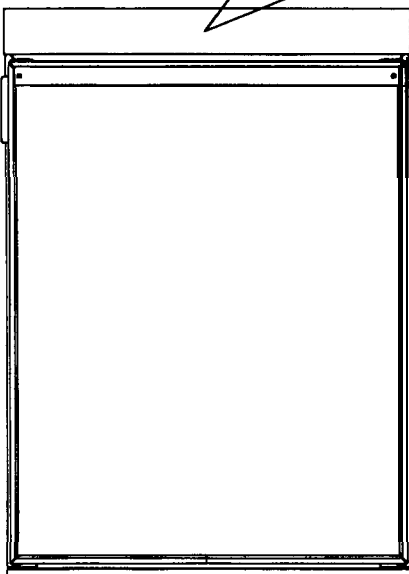
Refrigerator control panel



Control panel
RM 2333



Control panel
RM 2332



LEGEND

- A. ON/OFF, Power supply switch 12 volt DC
- B. ON/OFF, Power supply switch 120 volt AC
- C. Thermostat knob, electric
(only on 120 volt AC operation)
- D. Flame indicator
- E. Combined flame failure safety valve
push-button and gas shutoff valve
- F. Thermostat knob, gas
- G. Piezo igniter

FIG. 2

INSTALLATION

GENERAL INSTRUCTION

This appliance is designed for storage of foods and storage of frozen foods and making ice.

The refrigerators outlined herein have been design certified by A.G.A. under the ANSI 221.19 Refrigerator Standard for installation in a mobile home or recreational vehicle and are approved by the Canadian Gas Association.

The certifications are, however contingent on the installation being made in accordance with the following instructions as applicable.

In the U.S.A., the installation must conform with:

1. National Fuel Gas Code ANSI 2223.1 -(latest edition)
2. Manufactured Home Construction and Safety Standard, Title 24 CFR, Part 3280.
3. Recreational Vehicles ANSI A1 19.2-(latest edition).

The unit must be electrically grounded in accordance with the National Electric Code ANSI/NFPA 70-(latest edition) when installed, if an external alternating current electrical source is utilized.

4. Any applicable local code.

In CANADA, the installation must conform with:

1. Current CAN/CGA B149 Gas Installation Codes
2. Current CSA Standard 2240.4 GAS-EQUIPPED RECREATIONAL VEHICLES AND MOBILE HOUSING.
3. Where a flexible metal connector is used, it must comply with the provisions of the current Standard CAN1-6.10, METAL CONNECTORS FOR GAS APPLIANCES.
4. Any applicable local code

The unit must be electrically grounded in accordance with the current CANADIAN ELECTRICAL CODE C22 Parts 1 and 2.

VENTILATION

The installation shall be made in such a manner as to separate the combustion system from the living space of the mobile home or recreational vehicle. Openings for air supply or for venting of combustion products shall have a minimum dimension of not less than 1/4 inch.

Proper installation requires one lower fresh air intake and one upper exhaust vent. The ventilation kits shown in this instruction manual have been certified for use with the refrigerator models listed in the Table. For "Certified Vent System Kits" see **page 13**. The ventilation kits must be installed and used without modification. An opening toward the outside at floor level in the refrigerator compartment must be provided for ventilation of heavier-than-air fuel gases. The lower vent of the recommended kits is provided with proper size openings. The flow of combustion and ventilating air must not be obstructed.

The lower side vent is fitted with a panel which provides an adequate access opening for ready serviceability of the burner and control manifold of the refrigerator. This should be centered on the back of the refrigerator.

CERTIFIED INSTALLATION

Certified installations require one roof vent and one lower side vent or optional one upper side vent and one lower side vent.

For "Certified Vent System Kits" see **page 13**.

For further information contact your dealer or distributor.

METHODS OF INSTALLATION

The method of installation is shown in FIG. 3a and 3b. It is essential that all maximum or minimum dimensions are strictly maintained as the performance of the refrigerator is dependent on adequate flow of air over the rear of the refrigerator.

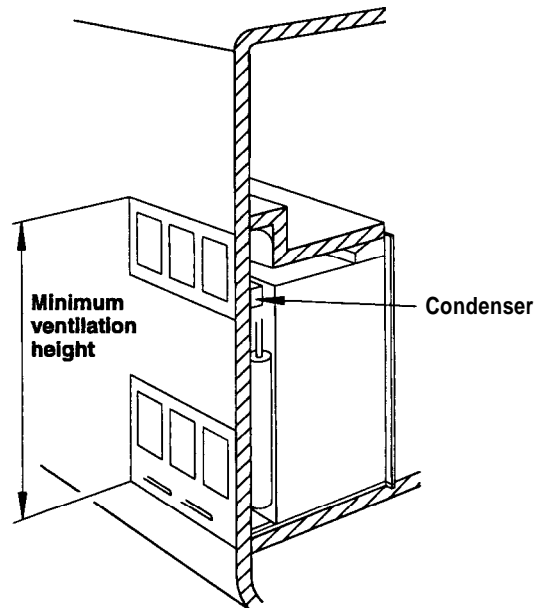


FIG. 3a

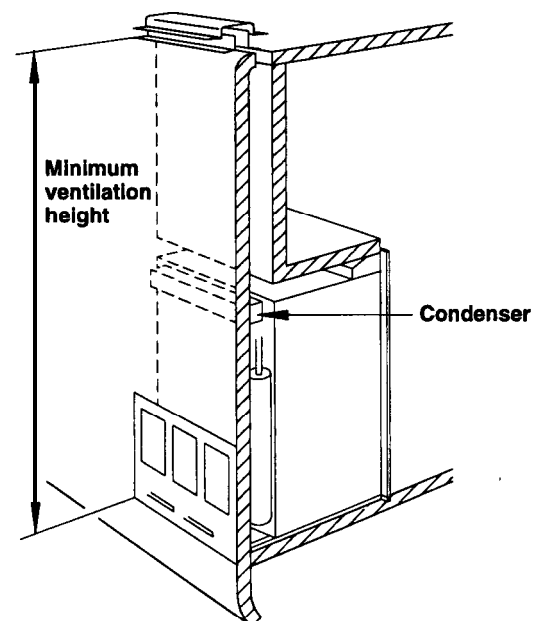


FIG. 3b

VENTILATION HEIGHTS

Refer to FIG. 3a, 3b and 4.

Refrigerator model	Minimum ventilation heights in inches and mm.	
	installation with upper and lower side vent	Installation with roof vent and lower side vent
RM 2332 RM 2333		
inch	37	31
mm	940	767

CLEARANCES

Minimum clearances in inches to combustible materials are:

- G: Top 0
- K: Side 0
- L: Bottom 0
- M: Rear 1
- N: See NOTE: "N" below.

NOTE: Clearance "M" is between the rearmost part of the refrigerator and the wall behind the refrigerator.

NOTE: Ventilation height "N"

With upper and lower side vent is "N" the distance between the bottom of the lower side vent to the top of the upper side vent.

With roof vent and lower side vent is "N" the distance between the bottom of the lower side vent to the roof material.

For ventilation height, see table **VENTILATION HEIGHTS**.

See Figures 3a, 3b and 4.

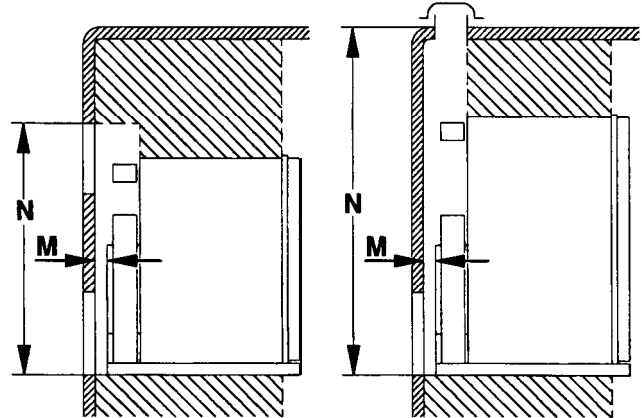
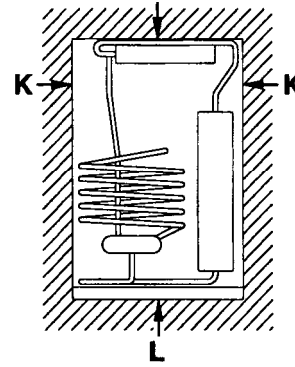
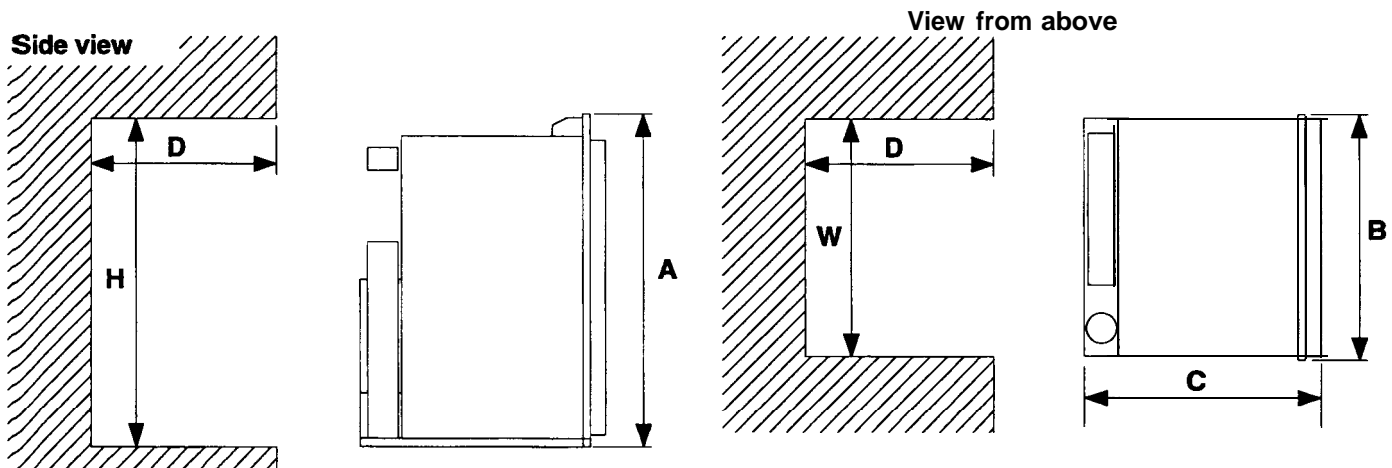


FIG. 4

FIG. 5



Refrigerator Model	Overall Dimensions			Recess Dimensions		
	Height A	Width B	Depth C	Height H	Width W	Depth D
RM 2332 inch	30-3/64	21-55/64	22-3/32	29-3/4	20-1/2	21-3/8
RM 2333 mm	763	555	561	756	521	542

This method of installation and these clearances will give you adequate space for service and proper installation.

INSTALLING REFRIGERATOR IN ENCLOSURE

NOTE: DO NOT install the appliance directly on carpeting. Carpeting must be removed or protected by a metal or wood panel beneath the appliance which extends at least full width and depth of the appliance.

The refrigerator must be installed in a substantial enclosure and must be level. When installing the refrigerator in the enclosure, all areas within the recess in which the refrigerator is installed must be sealed.

Make sure that there is a complete seal between the front frame of the refrigerator and the top, sides and bottom of the enclosure. A length of sealing strip is applied to the rear surface of the front frame for this purpose. Also apply a sealing strip to the foremost floor of the enclosure as shown in fig. 6. The sealing should provide a complete isolation of the appliance's combustion system from the vehicle interior.

NOTE: Be careful not to damage the sealing strip when the refrigerator is put in place.

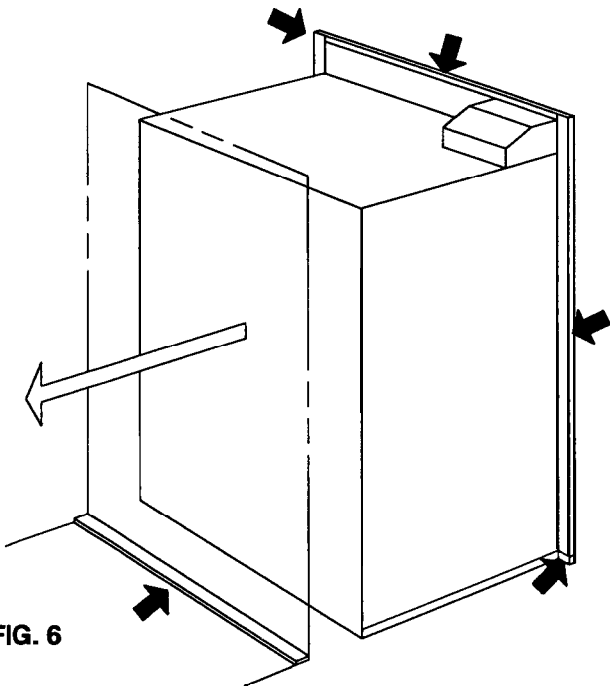


FIG. 6

Securing the Refrigerator

After the refrigerator is put in place, (insuring a combustion seal at the front frame), the refrigerator is to be secured in the enclosure with six screws. The screws have to be installed in the following order:

STEP 1: Four screws installed through the front frame. See fig. 7.

STEP 2: Two screws installed in the rear base. See fig. 7.

Failure to follow the sequence in securing refrigerator in enclosure can cause leakage between the frame and cabinet.

When installing the refrigerator, the installer must block the space between the storage cabinet and the top of the refrigerator, otherwise heat will become trapped in this space, making the top of the refrigerator hot, thus reducing the efficiency of the unit.

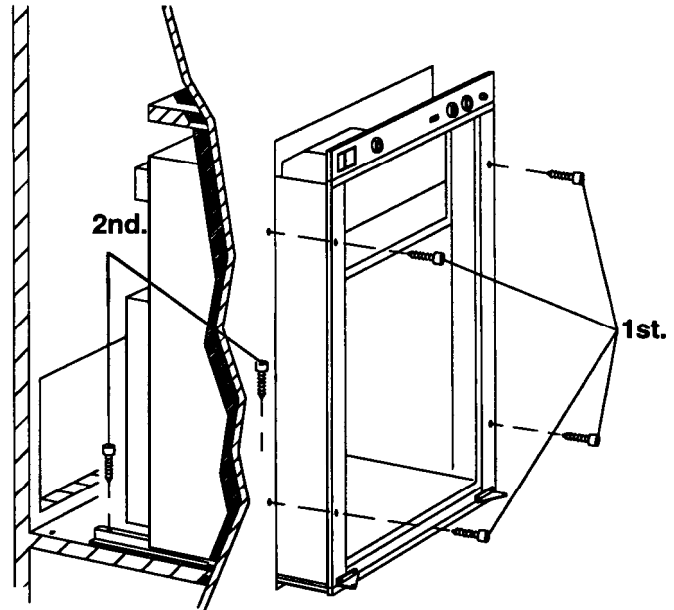


FIG. 7

GAS CONNECTION

Hook-up to the gas supply line is accomplished at the manual gas valve, which is furnished with a 3/8" SAE (UNF 5/8" -18) male flare connection. All completed connections should be checked for leaks with soapy water.

! WARNING

DO NOT use a flame to check for gas leaks.

The gas supply system must incorporate a pressure regulator to maintain a supply pressure of not more than 11 inches water column.

When testing the gas supply system at test pressures in excess of 1/2 psig, the refrigerator and its individual shutoff valve must be disconnected from the gas supply piping system.


When testing the gas supply system at pressures less than or equal to 1/2 psig, the appliance must be isolated from the gas supply piping system by closing its individual manual shutoff valve.

In case detailed instructions on the installation and connection to the gas supply are required, contact your dealer or distributor.

TESTING LP GAS SAFETY SHUTOFF

The gas safety shutoff must be tested after the refrigerator is connected to the LP gas supply.

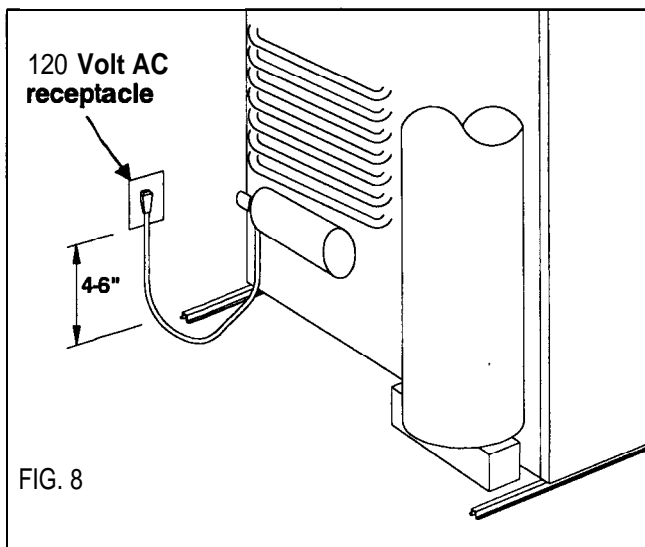
To test the gas safety shutoff, proceed as follows:

1. Start the refrigerator according to the instructions for Gas Operation. See section Operating Instruction.
2. Check that the gas flame is lit. The red indicator moves to green area on the flame indicator (D).
3. Turn off the gas by turning the knob (E) to ●.
4. Wait for one minute.
5. Remove protection cover (see fig. 1). Turn the knob (E) to position  without pushing the buttons (E) and (G). Apply a non-corrosive commercial bubble solution to the burner jet. Be careful not to damage the burner jet.
6. No bubbles should appear at the opening of the burner jet. The presence of bubbles indicates a defective gas safety shutoff and service is required.
7. If no bubbles were present at the burner jet, the gas safety valve is working properly. Rinse jet thoroughly with fresh water before proceeding. Be careful not to damage the burner jet. Replace the protection cover. Start the refrigerator by following the instruction for Gas Operation. Normal operation of the burner should now return. Allow the burner to operate for a minimum of five minutes.

ELECTRICAL CONNECTION

120 Volts AC Connection

The refrigerator is equipped with a three-prong (grounding) plug for your protection against shock hazards and should be plugged directly into a properly grounded three-prong receptacle. DO NOT cut or remove the grounding prong from this plug. The free length of the cord is 2 feet and therefore recommended that the receptacle be located to the left side of the refrigerator (viewed from the rear) and approximately 4-6 inches from the floor (see FIG. 8). This allows easy access through the vent door. The cord should be routed to avoid direct contact with the burner cover, flue cover or any other components that could damage the cord insulation.



12 Volts DC Connection

3-way refrigerator model

Connect the 12 V DC leads from the refrigerator to the vehicle battery by a direct wire. The leads are marked "12 V only", (red wire +) and (black wire -). Correct polarity must be observed when connecting to the DC supply.

DO NOT use the body or chassis of the vehicle as a substitute for either of the two conductors. Do not connect any other electrical equipment or lighting to the refrigerator circuit.

The refrigerator must be connected by a separate circuit to the battery with two wires of adequate capacity to avoid voltage drop when the DC heater is being operated. The wire gauge should be chosen with consideration to the length: refer to the Table below for wire size.

The 12 volt DC circuit must be fused. Maximum fuse size is 15 amps.

The refrigerator will draw 10.5 A at 12 volts.

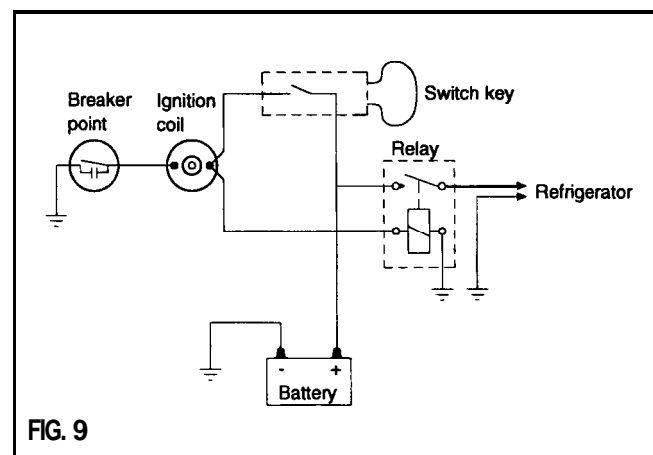
MAXIMUM TOTAL CONDUCTOR WIRE SIZE (In Feet and Meters)

AWG	RM 2333 3-way
10	25 ft. 7.6 m
8	40 ft. 12.2 m

The connections must be clean, tight and free from corrosion. If not, a resulting voltage drop will cause a decreased cooling capacity.

! CAUTION

Do NOT operate the refrigerator on 12 volt when the vehicle is parked. The amperage draw of the 12 volt DC heating element can discharge a battery in a very short time. The installation of a 12 volt DC operated refrigerator requires a relay to be installed on the tow vehicle or in the caravan. The relay will automatically shut off the 12 volt DC power to the refrigerator when the ignition is turned off. (See fig. 9).



CHANGING DOOR SWING TO OPPOSITE SIDE

- Remove the top hinge pin and lift out the door.
- Unscrew the lower hinge pin with its washers (use a flat blade screwdriver from beneath), and re-fasten it on the opposite side hinge.
- Unscrew the travel latch and re-fasten it on the opposite side. The nylon bushing and the latch retainer on the top of the door should be shifted.
- Remount the door and the top hinge pin.
- Unscrew the handle and re-fasten it on the opposite side of the door. Insert the plastic caps (from the parts bag) into the holes left open on the door.

Check travel latch to make sure it works properly and that the door closes easily and the gasket seals well on all sides.

INSTRUCTIONS FOR MOUNTING THE DOOR PANEL

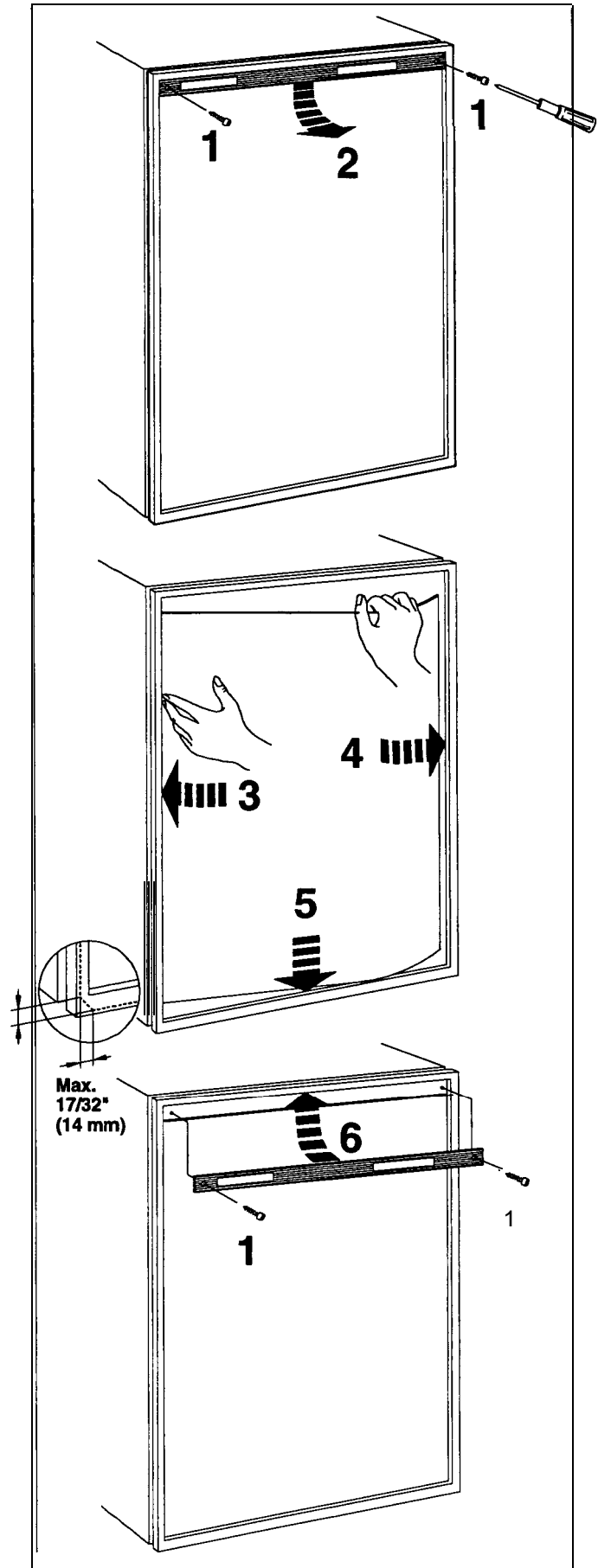
The refrigerator is normally delivered without door panels. Before starting the mounting work, check that the panel dimensions are in compliance with those given in the Table and the instructions are read thoroughly.

When mounting the panel, proceed as follows:

See FIG. 10.

- On new refrigerators, the decoration strip is taped inside the door; if installed on the door, remove the door decoration strip (2) by removing its two screws (1).
- The lower corners of the panel has to be cut according to the sketch. Insert one vertical edge of the panel into the groove of the door frame (3).
- Bend the panel gently so that the free side of the panel can be slipped into the corresponding groove of the door frame (4).
- Slide the panel down into the groove of the bottom frame (5).
- Between the upper edge of the panel and the door frame there is a gap which should be covered by the decoration strip.
- Put the decoration strip across the door so that the gap is covered and push it upward (6) The tabs on the inside of the strip should fit behind the flange of the door frame. Secure the decoration strip with the two screws removed in Step A (1).

FIG. 10



PANEL DIMENSIONS MAX. THICKNESS 5/32" (4 mm)					
REFR. MODELS TYPE		HEIGHT		WIDTH	
		MAX.	MIN.	MAX.	MIN.
RM 2332	inch	25-17/32	25-15/32	21-3/32	21-1/32
RM 2333	m m	649	647	536	534

OPERATING INSTRUCTIONS

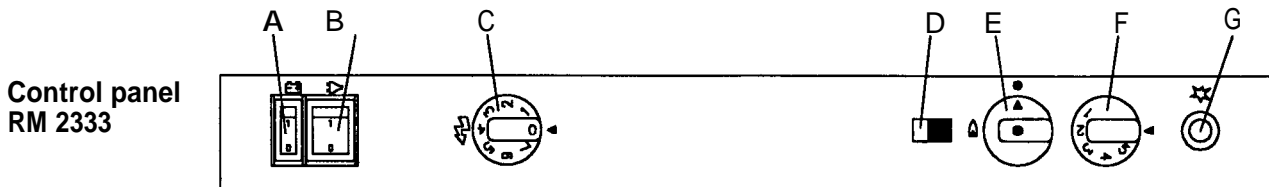
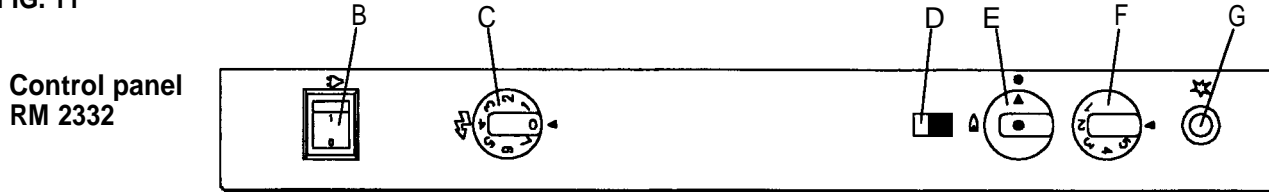


FIG. 11



IMPORTANCE OF LEVELING A REFRIGERATOR

In an absorption refrigerator system, ammonia is liquefied in the finned condenser coil at the top rear of the refrigerator. The liquid ammonia then flows into the evaporator (inside the freezer section) and is exposed to a circulating flow of hydrogen gas, which causes the ammonia to evaporate, creating a cold condition in the freezer.

The tubing in the evaporator section is specifically sloped to provide a continuous movement of liquid ammonia, flowing downward by gravity through this section. If the refrigerator is operated when it is not level and the vehicle is not moving, liquid ammonia will accumulate in sections of the evaporator tubing. This will slow the circulation of hydrogen and ammonia gas, or in severe cases, completely block it, resulting in a loss of cooling. Any time the vehicle is parked for several hours with the refrigerator operating, the vehicle should be leveled to prevent this loss of cooling. The vehicle needs to be leveled only so it is comfortable to live in (no noticeable sloping of floor or walls).

When the vehicle is moving, the leveling is not critical, as the rolling and pitching movement of the vehicle will pass to either side of level, keeping the liquid ammonia from accumulating in the evaporator tubing.

STARTING THE REFRIGERATOR

! CAUTION


Only use one source of energy at a time

The position numbers refer to fig. 11.

GAS OPERATION

Before starting the refrigerator, check that all the manual gas valves are in the ON position. Do not forget the manual shutoff valve on the rear of the refrigerator, see FIG. 1.

1. Check that the switch for 120 volt AC (B) and, if the refrigerator is equipped for 12 volt DC operation, the switch (A) are off "0".
2. Set the thermostat knob (F) to the highest setting. Please note that the thermostat has no "off" position.

3. Turn on the gas supply by pressing the knob (E) and turn it to position .
4. Keeping the flame failure device button (E) pressed, operate the igniter (G) several times to light the burner. This can be observed on the flame indicator (D), on the refrigerator. When the flame is on, the red indicator is on the green field. (See FIG. 11).
5. After the flame lights, continue to hold button (E) for an additional 10 seconds. Release the button (E) and check the flame indicator (D) to make sure the burner does not go out. If the burner goes out, repeat the lighting procedure.
6. To shut off gas operation, turn the knob (E) to "●" (off).

NOTE: After changing an LP tank, or after a long shut off period, the gas line is likely to be filled with air. You may have to repeat the lighting procedure several times to purge the air out of the gas lines.

! WARNING

Most LP gas appliances used in recreational vehicles are vented to the outside of the vehicle. When parked close to a gasoline pump, it is possible that the gasoline fumes could enter this type of appliance and ignite from the burner flame, CAUSING A FIRE OR AN EXPLOSION.

FOR YOUR SAFETY, when refueling, shut off all LP gas appliances which are vented to the outside.

ELECTRIC OPERATION

Check to be sure the power cord is properly connected to the power supply. (See FIG. 8). If the refrigerator is equipped for 12 volt DC operation, the tow vehicle or caravan engine should be running to prevent discharging the battery.

120 volt AC operation

1. Turn off gas operation (E), and if the refrigerator is equipped for 12 volt DC operation, set the switch (A) to "0" (off).
2. Turn the thermostat knob (C) to its highest (coldest) position.

3. Set the 120 volt AC switch **(B)** to position **1** (on). The switch will light up green when the power supply is connected.
4. To shut off 120 volt AC operation, set the switch **(B)** to position 0 (off).

12 volt DC operation

1. Turn off gas operation **(E)** and set the 120 volt AC switch **(B)** to position 0 (off).
2. Note: no thermostat function on 12 volt DC operation, the refrigerator works continuously.
3. Set the 12 volt DC switch **(A)** to position **1** (on). The switch will light up red when the power supply is connected.
4. To shut off 12 volt DC operation, set the switch **(A)** to position 0 (off).

REGULATING THE TEMPERATURE

The position numbers refer to fig. 11.

It will take a few hours for the refrigerator to reach normal operating temperature. So we suggest you start it well in advance of a trip and if possible store it with precooled foodstuffs.

On 120 volt AC operation the refrigerator is controlled by a thermostat and the thermostat knob **(C)** should be set at 3-5. If a lower (colder) temperature is desired, set the thermostat to a higher figure.

On 12 volt DC operation the refrigerator works continuously.

On LP gas operation the refrigerator temperature is regulated by the gas thermostat **(F)**, which should be set at 3-5.

When the gas thermostat reaches the set temperature, it will cut the burner back to bypass or, in 120 volt AC operation, the thermostat shut off the heating element. The setting of the thermostat is not critical, but we recommend it be adjusted to maintain a dry frost on the cooling fins. Adjust the thermostat knob closer to its highest figure when the outside temperature becomes warm.

HOW TO USE THE REFRIGERATOR

FOOD STORAGE COMPARTMENT

The food storage compartment is completely closed and unventilated, which is necessary to maintain the required low temperature for food storage. Consequently, foods having a strong odor or those that absorb odors easily should be covered. Vegetables, salads etc. should be covered to retain their crispness. The coldest positions in the refrigerator are under the cooling fins and at the bottom of the refrigerator. The warmer areas are on the upper door shelves. This should be considered when placing different types of food in the refrigerator.

FROZEN FOOD STORAGE COMPARTMENT

Quick frozen soft fruits and ice cream should be placed in the coldest part of the compartment which is at the bottom of the aluminum liner. Frozen vegetables, may be stored in any part of the compartment.

This compartment is not designed for deep or quick freezing of food. Meat or fish, whether raw or prepared, can be stored in the frozen food storage compartment provided they are precooled first in the refrigerator. They can be stored about three times longer in the frozen food compartment as compared to the fresh food compartment. To prevent food from drying out, keep it in covered dishes, containers, plastic bags or wrapped in aluminum foil.

Ice cubes can be made in the freezer compartment.

For faster ice making, the tray should be placed in direct contact with the bottom of the freezer compartment.

Ice making is accelerated if the thermostat knob is turned to the highest figure.

It is a good idea to do this a few hours before the anticipated need for ice, but be sure to turn the thermostat back to the normal setting when the ice is formed. Food in the lower compartment may be frozen if the thermostat is left on at its highest figure.

Total Refrigerated Volume 3 cu.ft.

DEFROSTING

After a period of operation, frost may gradually accumulate on the freezer plate and the cooling fins, thereby impairing cooling efficiency.

To defrost the refrigerator. Turn it off and remove the ice tray and all food items, leaving the drip tray under the finned evaporator. Leave the cabinet and freezer doors open. Defrosting time can be reduced by filling the ice tray with hot water and placing it on the freezer shelf.

When all the frost has melted, empty the drip tray and dry the interior of the refrigerator with a clean cloth.

Defrost water in the freezer compartment should be mopped up with a cloth.

Replace the drip tray and ice tray. Replace all the food and set the thermostat to its highest figure for a few hours. Then reset the thermostat to its normal position.

! CAUTION

DO NOT use a hot air blower. Permanent damage could result from warping the metal or plastic parts. **DO NOT** use a knife or an ice pick, or other sharp tools to remove frost from the freezer compartment. They can create a leak in the ammonia system.

CLEANING THE REFRIGERATOR

Cleaning the refrigerator is usually done after it is defrosted or put into storage. To clean the interior liner of the refrigerator, use lukewarm weak soda solution. Use only warm water to clean the finned evaporator, ice

tray and shelves. It is important to always keep the refrigerator clean.

NEVER use strong chemicals or abrasive cleaning materials on any part of the refrigerator.

SHUT- OFF (STORAGE PROCEDURE)

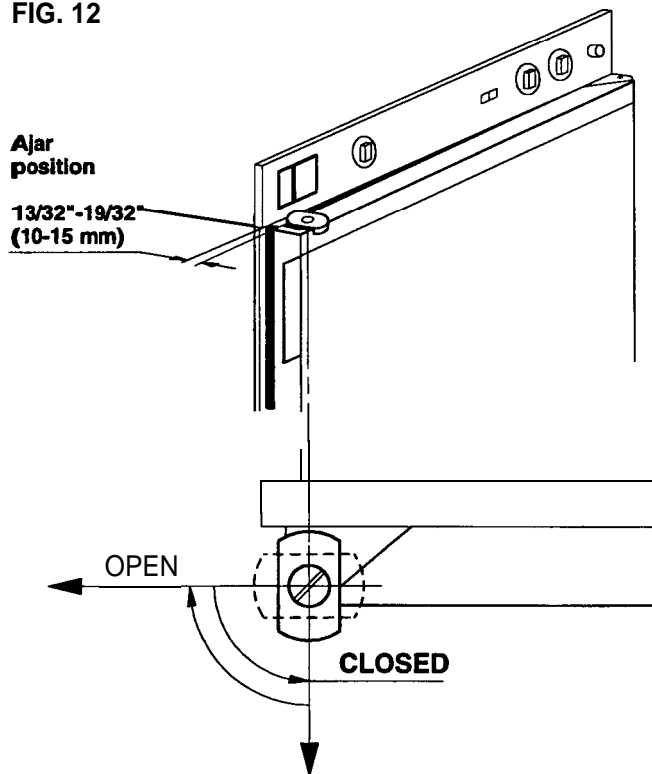
If the refrigerator is not to be used for some time:

1. Set the switch(es) to 0 (off).
2. Set the gas valve (E) to ● (off).
3. Shut off any on-board valve in the gas line to the refrigerator.
4. Empty the refrigerator. Defrost and clean it as described earlier. Leave the doors of the refrigerator and frozen food compartment ajar. Use the travel latch to hold in this position (See FIG. 12).

! WARNING

DO NOT store explosive substances in the refrigerator, such as cigarette lighter gas, petrol, ether or the like.

FIG. 12



MAINTENANCE & SERVICE

The user should be aware of service that must be done on a regular schedule to keep the refrigerator operating properly. The service should only be performed by a qualified technician who is familiar with LP gas systems and refrigerators.

1. REFRIGERATOR REMOVAL

Before working on the refrigerator, make sure the AC voltage and DC voltage leads (if available) are disconnected. Shut off the gas supply at the LP tank. Disconnect the gas supply line at the rear of the refrigerator. Always use a back up wrench when loosening and tightening connections.

Cap the gas supply line, loosen the screws anchoring the refrigerator to the enclosure and slide the refrigerator out of the compartment.

When replacing the refrigerator make sure that the sealing strips are properly positioned.

Replacement is the reverse of removal. Check all connections for **gas** leaks.

Refer to section **INSTALLATION**, page 4 to 8.

2. PERIODIC MAINTENANCE

To keep your Dometic refrigerator operating efficiently and safely, periodic inspection and cleaning of several components once or twice a year is recommended.

- A. It is important to keep the area at the back of the refrigerator clean. Check the lower vent, upper vent and area between these openings for any obstructions such as bird/insect nests, spider webs, etc. Clean the coils on the back of the refrigerator. Use a soft bristled brush to dust off the coils.

It is important to keep the refrigerator area free from combustible material, gasoline and other flammable vapors or liquids.

NOTE: The following maintenance is required once or twice a year, but should only be done by a qualified serviceman who is familiar with LP gas systems and refrigerators.

- B. Check all connections in the LP gas system (at the back of the refrigerator) for gas leaks. The LP gas supply must be turned on. Apply a non-corrosive bubble solution to all LP gas connections. The appearance of bubbles indicates a leak and should be repaired **immediately** by a **QUALIFIED SERVICE-MAN WHO IS FAMILIAR WITH GAS SYSTEM AND REFRIGERATORS**.

! WARNING

DO NOT use a flame to check for gas leaks.

- C. The LP gas pressure should be checked and the main regulator readjusted if pressure is incorrect. The correct operating pressure is 11 inches of water column. The correct place to take the LP gas pressure is at the test port just ahead of the burner jet. (See FIG. 13).

GAS EQUIPMENT ASSEMBLY

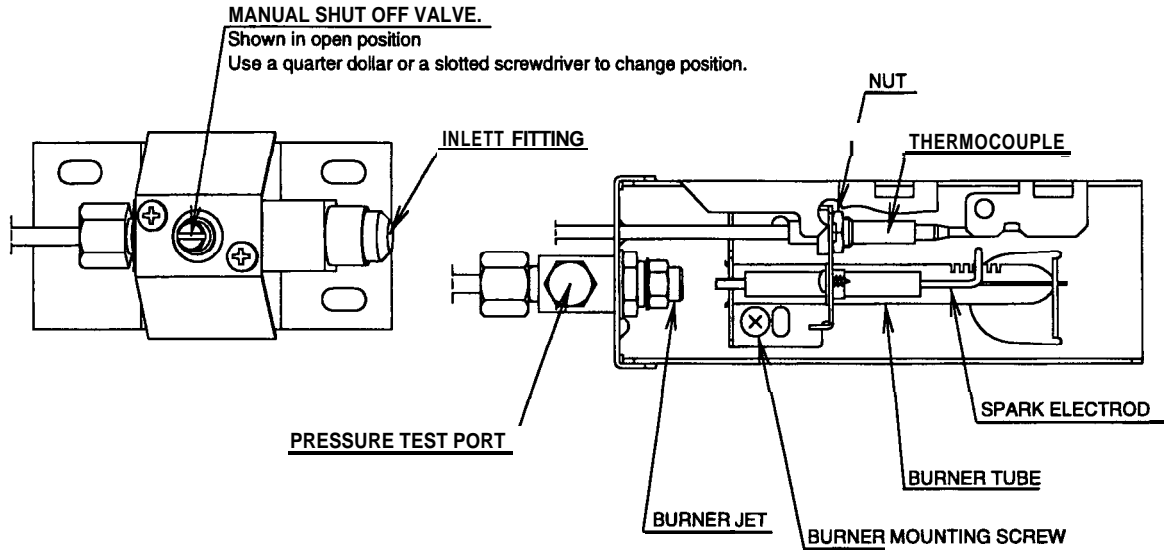


FIG. 13

- D. Inspect the flue baffle. It should be reasonably clean and free of soot. Heavy soot formation indicates improper functioning of the burner. The flue and burner both require cleaning in the following manner:
 1. Unplug the refrigerator power cord from the 120 volt AC outlet. (See FIG. 8).
 2. Disconnect the 12 volt power to the refrigerator (if available).
 3. Turn the knob (E) to ● (off). (See FIG. 11).
 4. Remove cover from the burner housing. (See fig. 1).
 5. Disconnect the wire from the high voltage electrode.
 6. Remove the burner mounting screw and remove the burner assembly. (See fig. 13).
 7. Remove the flue cap from the top of flue tube and lift out the wire and flue baffle. Clean the flue from the top using a flue brush. Blowing compressed air into the flue **will not** properly clean soot and scale out of the flue tube. Replace the flue baffle and flue cap.
 8. Clean burner tube with a brush. Blow out burner with compressed air.
 9. Before removing burner jet, clean burner area of soot and scale that fell out of flue tube. Remove the burner jet. Soak the jet in wood alcohol and blow it out with compressed air. Reinstall and tighten burner jet.

10. Reinstall burner, being careful that the end of the burner fits into the slot on the burner bracket. Check to make sure slots are centered under the flue tube and the thermocouple is positioned properly (tip of thermocouple extends over two slots of burner).
NOTE: The color of the flame shall be clear blue over the slots of the burner. (See FIG. 14).

Clear blue color of flame

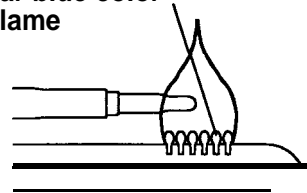
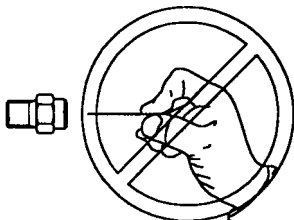
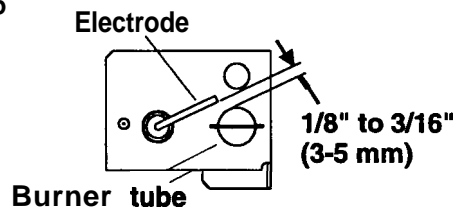


FIG. 14

11. Be sure to reconnect the wire to high voltage electrode. Check the electrode for proper location and gap. (See FIG. 15).

FIG. 15



! WARNING

DO NOT use a wire or pin when cleaning the burner jet as damage can occur to the precision opening. This can cause damage to the refrigerator or create a fire hazard.

12. Turn on manual gas shutoff valve and check all fittings for leaks with soapy water.
13. Connect 120 volt power cord to the outlet and reconnect the 12 volt DC power (if available).
14. Check LP gas safety shutoff. See page 7.

3. TROUBLESHOOTING

Refrigerator Does Not Cool Properly

- A. Burner jet clogged.
Clean. (See section Maintenance & Service, Item 2. Periodic Maintenance, Paragraph D. Item I-1 4.
- B. Check level of refrigerator.
- C. Venting problem.
- D. Heavy frost buildup on evaporator fins.
Defrost
- E. Flue baffle not inserted properly in flue tube.
- F. Improperly set thermostat.
(See Operating Instructions, part Regulating the temperature).
- G. Burner dirty.
Clean. (See section Maintenance & Service, Item 2. Periodic Maintenance, Paragraph D. Item I-1 4.
- H. LP gas pressure low at burner.
Set main regulator so pressure does not drop below 11 inches of water column at pressure tap.
- I. Burner not located properly under flue tube.
Relocate
- J. Burner damaged.
Replace
- K. Odor from fumes.
 1. Dislocated burner
 2. Damaged burner
 3. Dirty flue tube

All the above instructions are to be followed closely. The refrigerator is quality-guaranteed. However, we are not responsible for any failures caused by improper adjustments and unfavorable installation conditions. Contact service point or distributor service dept. for assistance.

SPARE PARTS

The following list is a list of commonly used parts which should be available, if required, from your Dometic Service Center.

A=RM2332; B=RM2333

Part No.	Description
200 74 19-15/9	A B Jet, No.39
293 06 97-06/1	A B Burner
293 03 79-00/9	A B Electrode
200 71 72-00/6	A B Baffle
200 75 98-01/0	A B Flue cap
292 30 24-10/9	A B Lighter piezo-
17 37 60-08/3	A B Heater, 175W, 120V
173763-01/2	- B Heater, 125W, 12V
293 23 37-0113	A B Couple thermo-
200 22 61-24/2	A B Shelf door-, 3 pieces
200 76 25-01/1	A B Box
293 11 40-01/2	A B Locking latch
293 11 11-02/1	A B Strike
293 20 14-02/6	A B Handle

Contact an authorized service center for parts and repairs as needed

Replacement Parts Suppliers: See page 1.

CERTIFIED VENT SYSTEM KITS

REFRIGERATOR MODEL	KIT NO.	COMPONENTS	PART NO.
RM 2332 RM 2333	2A	Roof Base Roof Cover Lower Side Vent Lower Side Vent	3103633. XXX* 3103634. XXX* 3102277. XXX* RM 183
	3A	Upper Side Vent Upper Side Vent Lower Side Vent	RM 123 RM 123A RM 183
Power Vent Asm. Power Vent Asm. Upper Side Vent Upper Side Vent Lower Side Vent		3104726.009** 3107316.006** RM 123 RM 123A RM 183	
<p>* Fill in "XXX" with color code numbers. For color codes, contact your supplier. ** Alternate instructions forwarded with the Ventilator Kit.</p>			

For further information contact your dealer or distributor.

