



When ordering parts, always state:  
 MODEL NO. - PRODUCT NO. - QUANTITY -  
 PART NUMBER - DESCRIPTION  
 For Electric Details also state:  
 VOLTAGE - WATTAGE

# CLASSIC

## REFRIGERATOR MODEL RM2820

**USA**  
 SERVICE OFFICE  
 Dometic Corporation  
 2320 Industrial Parkway  
 Elkhart, IN 46516  
 574-294-2511

**CANADA**  
 Dometic Distribution  
 866 Langs Drive  
 Cambridge, Ontario  
 CANADA N3H 2N7  
 519-653-4390

**For Service Center  
 Assistance Call:**  
 800-544-4881

Product Number	Model	Voltage	Refrig. Frame Color	Door Style	Door/Door Trim Color	Market	Brand
921596010	RM2820	120VAC	Taupe	Standard	Taupe	USA, CAN	Dometic

# PARTS LIST

**MODEL  
RM2820  
Series**

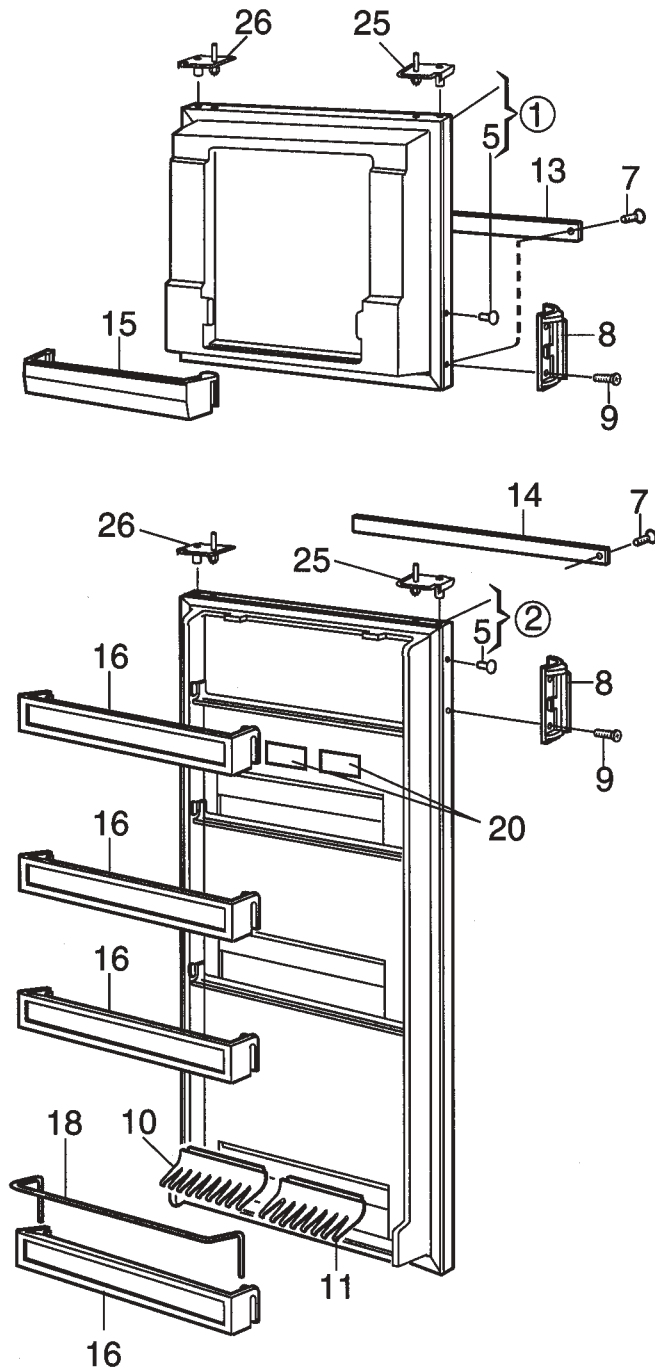
## ALPHABETICAL INDEX

	Page#	Index#
Cabinet, Exterior Components .....	5-6	1-77
Cabinet, Interior Components .....	7-8	3-112
Cabinet, Rear View .....	11-12	100-144
Control & Burner Components .....	9-10	1-253
Door Assm. ....	3-4	1-26
Wiring Diagram .....	13	—

## SPECIFICATIONS

<b>Model</b>	RM2820
<b>Product Number*</b>	921596010
<b>Energy Source**</b>	120 VAC, Gas
<b>AC Heating Element</b>	
<b>Amperage</b>	2.7
<b>Ohm Resis. +/- 10%</b>	41
<b>Wattage</b>	325
<b>BTU's Gas Burner</b>	1500
<b>Jet Size</b>	58
<b>Flue Baffle</b>	
<b>Size</b>	5-1/8" x 13/16"
<b>Position Above Burner</b>	1-7/8"
<b>Ice Trays</b>	0
<b>Crispers</b>	2
<b>Bottle Holders</b>	2
<b>Climate Control Heater</b>	
<b>Watts</b>	6
<b>Ohms</b>	24
<b>Amperage</b>	0.5
<p>* Product number located on refrigerator data plate.</p> <p>** 12 volt DC power is required to operate the refrigerator controls on all models.</p>	

## DOOR ASSEMBLY



NCMOA2063316

Only Those Parts Identified With An Index Number Are Available For Service Replacement.

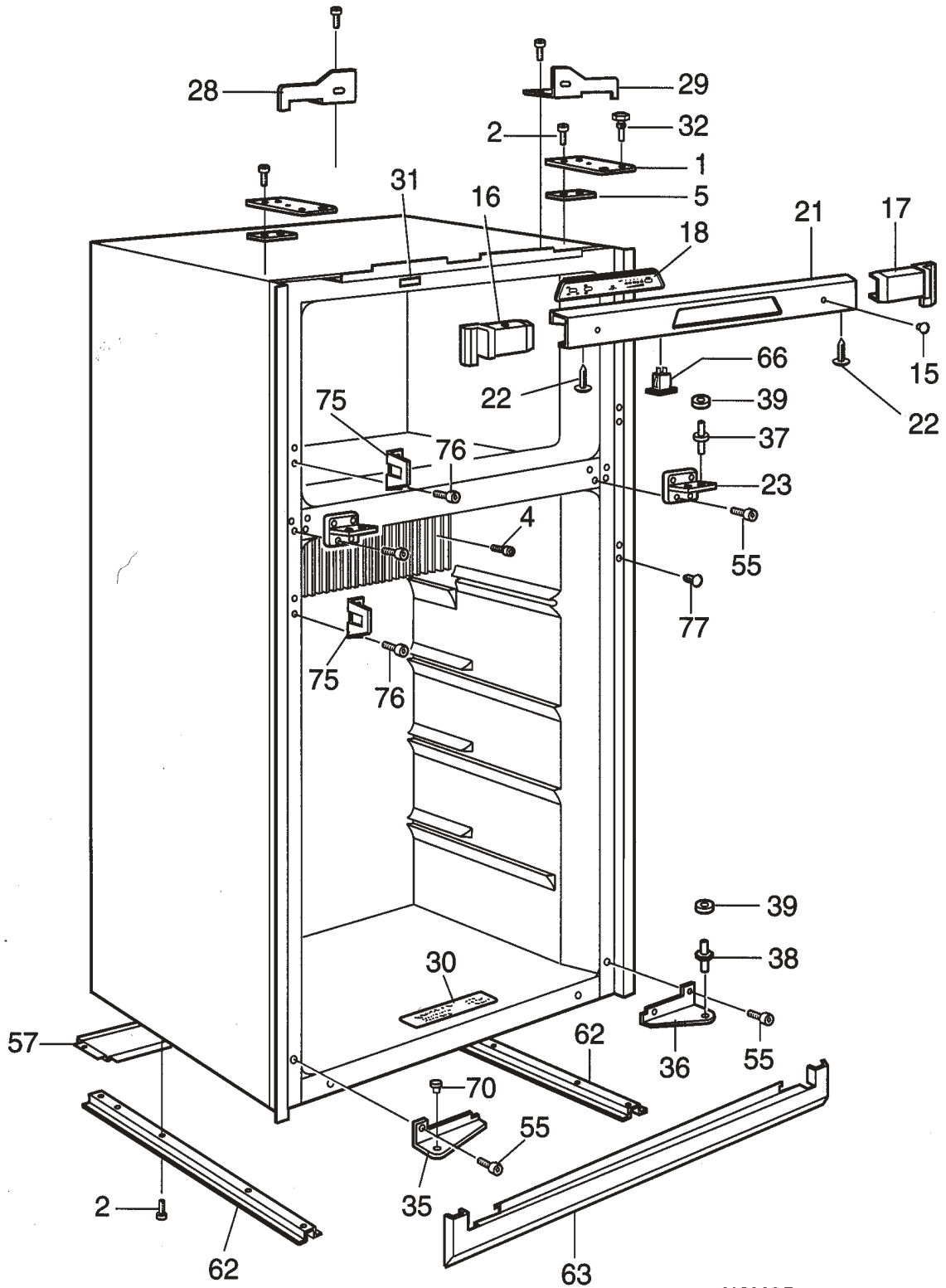
## DOOR ASSEMBLY

### RM2820 921596010 = A

INDEX	PART NUMBER	MODELS	DESCRIPTION
1	2931591156	A	Freezer Door
2	2931590182	A	Refrigerator Door
5	2931510032	A	Cover Washer
7	3858002110	A	Covering, Washer
8	2931600023	A	Handle, Complete
9	3858002102	A	Screw, RXS B4x9.5 Zinc
10	2930715053	A	Bottle Holder, 179mm
11	2930715061	A	Bottle Holder, 202mm
13	3850382023	A	Decoration
14	3850382056	A	Decoration
15	2931418038	A	Door Shelf
16	2001732185	A	Door Shelf
18	2001734017	A	Rack
20	2932722008	A	Label
	3850581004	A	Label, French
25	2931582015	A	Hinge Bushing
26	2931582023	A	Hinge Bushing

**Only Those Parts Identified With An Index Number Are Available For Service Replacement.**

## CABINET, EXTERIOR COMPONENTS



NCMOB2063315

Only Those Parts Identified With An Index Number Are Available For Service Replacement.

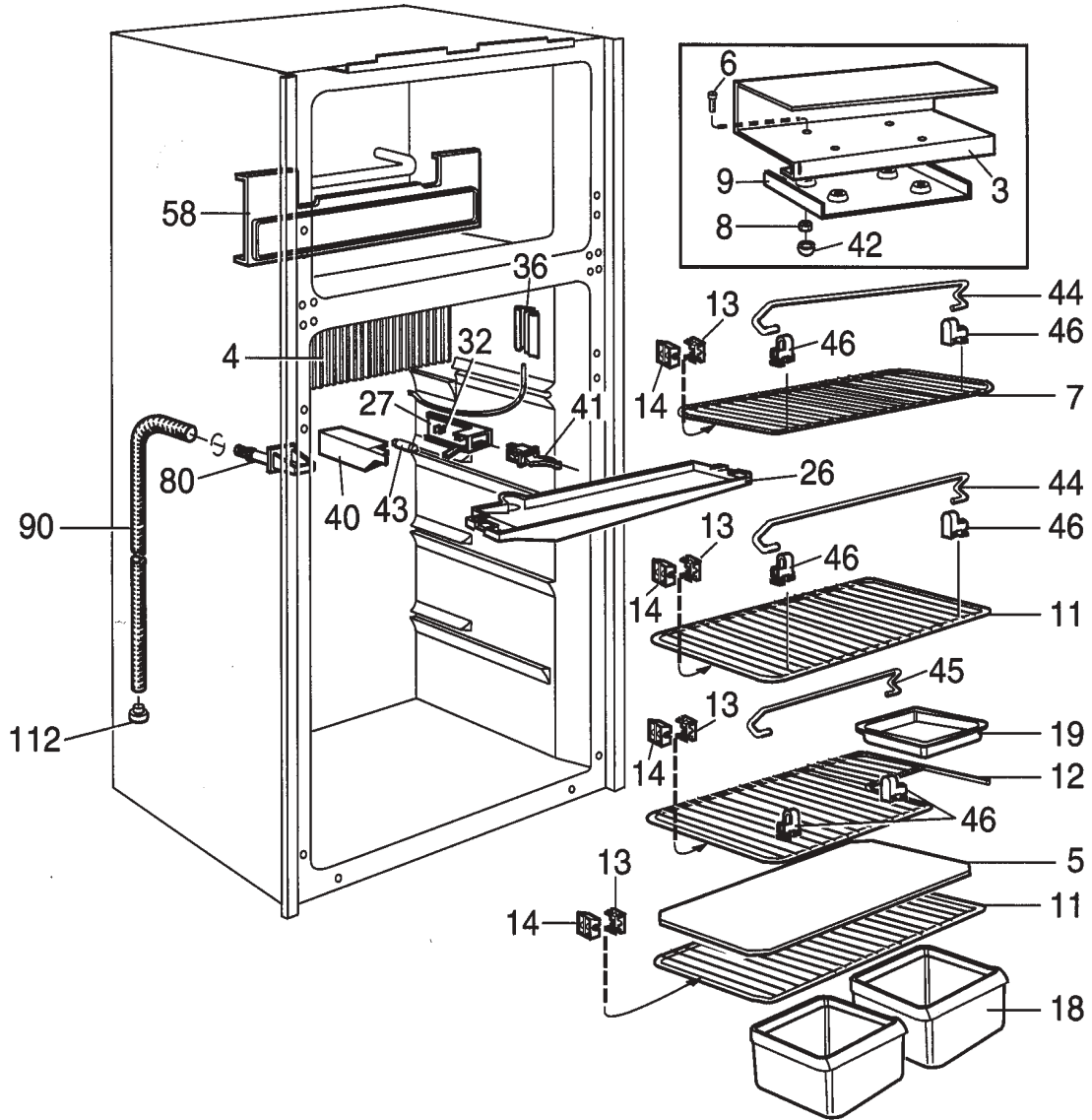
## CABINET, EXTERIOR COMPONENTS

**RM2820 921596010 = A**

INDEX	PART NUMBER	MODELS	DESCRIPTION
1	2931291013	A	Hinge, Upper
2	3858039096	A	Screw, MRX M5x14 Zinc
4	3858036019	A	Screw, KFXS B10x38, Zinc
5	2931292011	A	Washer
15	2930132069	A	Plug
16	2931866020	A	Side Plate, LH
17	2931866012	A	Side Plate, RH
18	2932884014	A	Panel, Front Display Board
21	2931865139	A	Front
22	3858047016	A	Screw W/washer
23	2931289017	A	Hinge, Middle
28	2932125020	A	Bracket LH
29	2932125012	A	Bracket RH
30	2932435007	A	Instruction Plate
31	2932779008	A	Label
32	2931288019	A	Hinge, Pin
35	2932111012	A	Hinge, LH
36	2932111020	A	Hinge, RH
37	2931287011	A	Hinge Pin, Middle
38	2931623017	A	Hinge Pin
39	3858010089	A	Washer, 5.5x12x1 Zinc
55	3858056017	A	Screw, MFX M4x12, Zinc
57	2930664012	A	Protctive Plate
62	2932110014	A	Runner
63	2932112044	A	Case Cover
66	2932680016	A	Switch
70	2931284026	A	Plug, Dark Gray
75	2931511014	A	Bracket
76	3858002094	A	Screw, RXS B4x6.5, Zinc
77	2931510032	A	Covering Washer, Plastic

**Only Those Parts Identified With An Index Number Are Available For Service Replacement.**

## CABINET, INTERIOR COMPONENTS



NCMOD2063318

Only Those Parts Identified With An Index Number Are Available For Service Replacement.

## CABINET, INTERIOR COMPONENTS

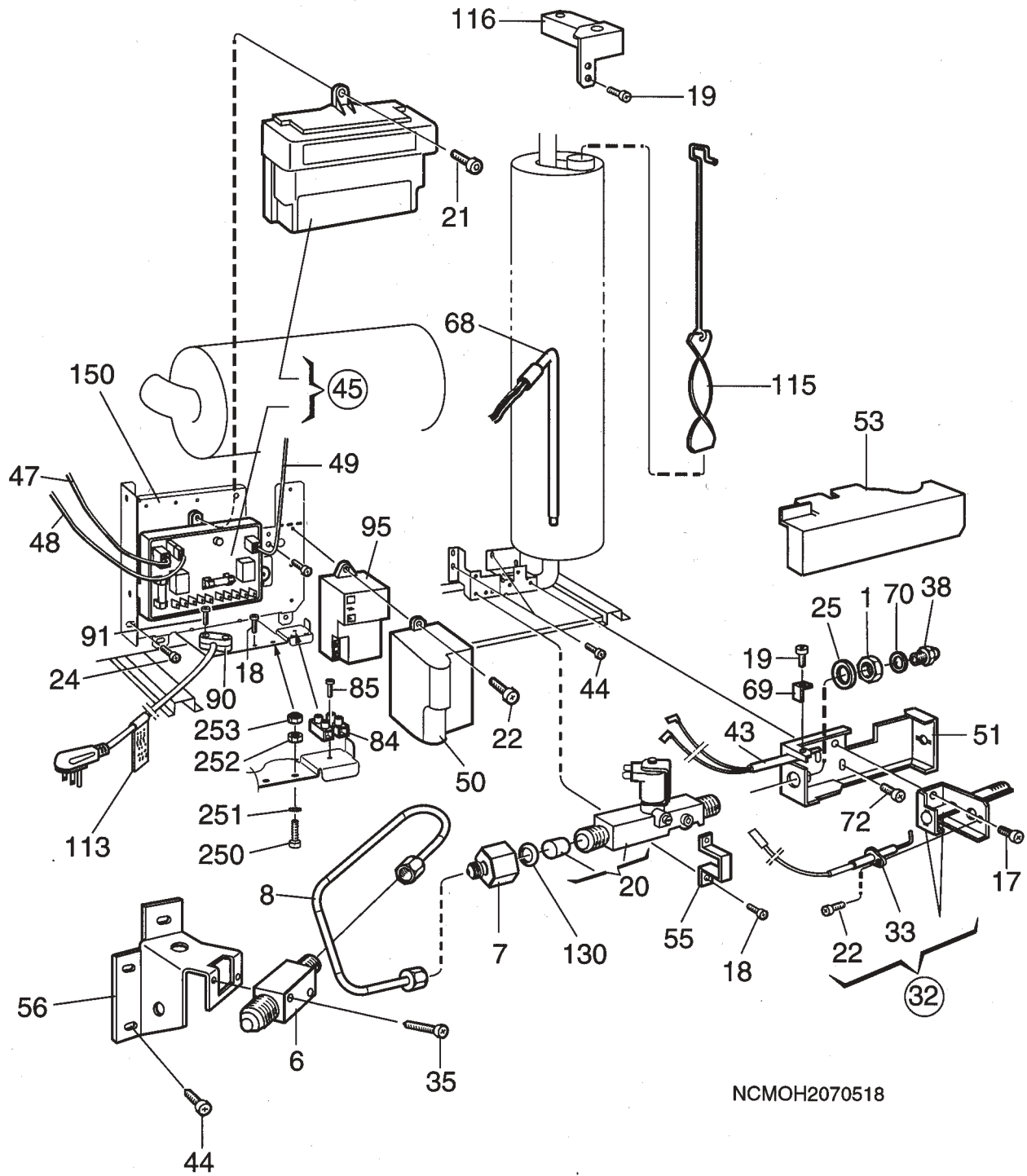
RM2820 921596010 = A

INDEX	PART NUMBER	MODELS	DESCRIPTION
3	2007535038	A	Shelf
4	2007605013	A	Cooling Fins
5	2931117051	A	Shelf, Plastic
6	3858041019	A	Screw, M6X M5x20, Brass-Nickel
7	2002652374	A	Shelf, 7"
8	3858009073	A	Nut, ML6 M5, Brass-Nickel
9	2007649011	A	Plate
11	2930133141	A	Shelf
12	2930133158	A	Shelf
13	2007393024	A	Stop, Outside
14	2007392026	A	Stop, Inside
18	2002726160	A	Vegetable Box
19	2930136011	A	Box
26	2007610013	A	Drip Tray
27	2932523018	A	Lampholder
32	2932108018	A	Contact Pin
36	2932456011	A	Bracket, Thermistor
40	2932106012	A	Lamp Cover
41	2940825009	A	Switch
42	2930487000	A	Lid
43	2007290006	A	Lamp, 10W-12VDC
44	2007337138	A	Rack, L=381mm
45	2007337187	A	Rack, L=236mm
46	2930693045	A	Holder
58	2931006015	A	Cover Plate
80	2007269026	A	Drain
90	2932749019	A	Drain Hose
112	2932115013	A	Discharge Pipe Plug

**Only Those Parts Identified With An Index Number Are Available For Service Replacement.**



# CONTROL & BURNER COMPONENTS



NCMOH2070518

Only Those Parts Identified With An Index Number Are Available For Service Replacement.

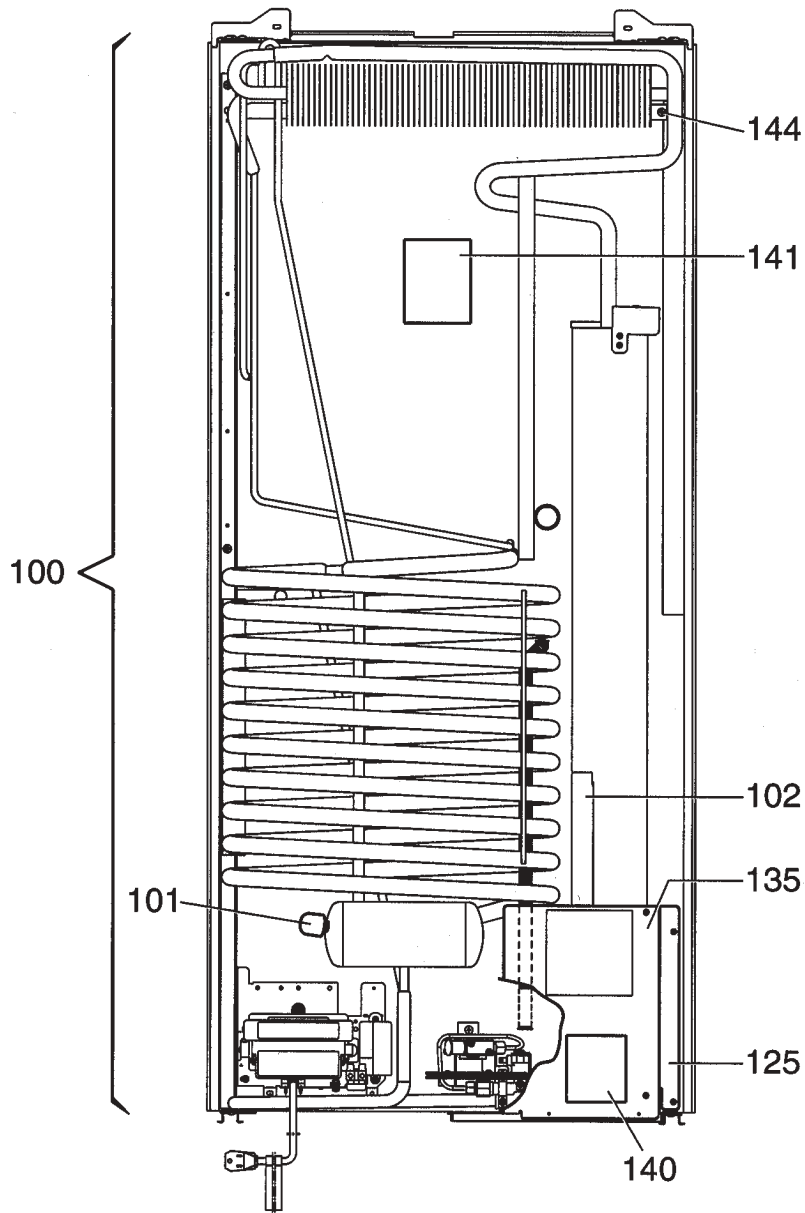
## CONTROL & BURNER COMPONENTS

### RM2820 921596010 = A

INDEX	PART NUMBER	MODELS	DESCRIPTION
1	0140207044	A	Nut
6	3850665013	A	Nipple, Gas Connection
7	3850663018	A	Nipple
8	3850662010	A	Gas Pipe
17	3858039039	A	Screw, MRX M4x8, Zinc
18	3858039047	A	Screw, MRX M4x10, Zinc
19	3858002144	A	Screw, RXS B6x9.5, Zinc
20	2932615012	A	Solenoid Valve
21	3858002151	A	Screw, RXS B6x13, Zinc
22	3858005014	A	Screw, RXK B6x9.5, Zinc
24	3858020021	A	Screw, B8x25, Zinc
25	3858010071	A	Washer, 12.5x18.5x1
32	2930697095	A	Burner W/Conductor
33	2932781012	A	Electrode W/Conductor
35	3858039070	A	Screw, M4x25, Zinc
38	2007419217	A	Jet #58
43	2931826016	A	Thermocouple
44	3858039096	A	Screw, MRX M5x14, Zinc
45	3850415013	A	Power Module, Universal
47	2954542011	A	Conductor PCB
48	2931863035	A	Conductor, Thermistor
49	2954539017	A	Conductor, Solenoid Valve
50	2931886010	A	Cover
51	2931913012	A	Burner Housing
53	2931572016	A	Cover, Burner Housing
55	2932662014	A	Bracket
56	2932116011	A	Mounting Plate
68	0173768037	A	Heater, 120VAC-325W
69	2930660010	A	Fixing Bracket
70	2007457001	A	Washer, 0.5mm
72	3858039021	A	Screw, MRX M4x6, Zinc
84	3858022019	A	Terminal Block
85	3858002185	A	Screw, RXS B6x25, Zinc
90	0561014010	A	Cable Clamp
91	3858002177	A	Screw, RXS B6x19, Zinc
95	2931132027	A	Spark Generator
113	2932733005	A	Label
115	2007590066	A	Baffle
116	2931540013	A	Flue
130	2930500000	A	Washer, Copper
150	3850337019	A	Bracket
250	3858004033	A	Screw, MRX M4x16, Zinc
251	3858011012	A	Lock Washer, 4.3x8, Zinc
252	3858009016	A	Hexagon Nut, M4x3.2, Zinc
253	3858028024	A	Lock Nut, M4, Zinc

**Only Those Parts Identified With An Index Number Are Available For Service Replacement.**

### CABINET, REAR VIEW



NCMOE2070520

Only Those Parts Identified With An Index Number Are Available For Service Replacement.

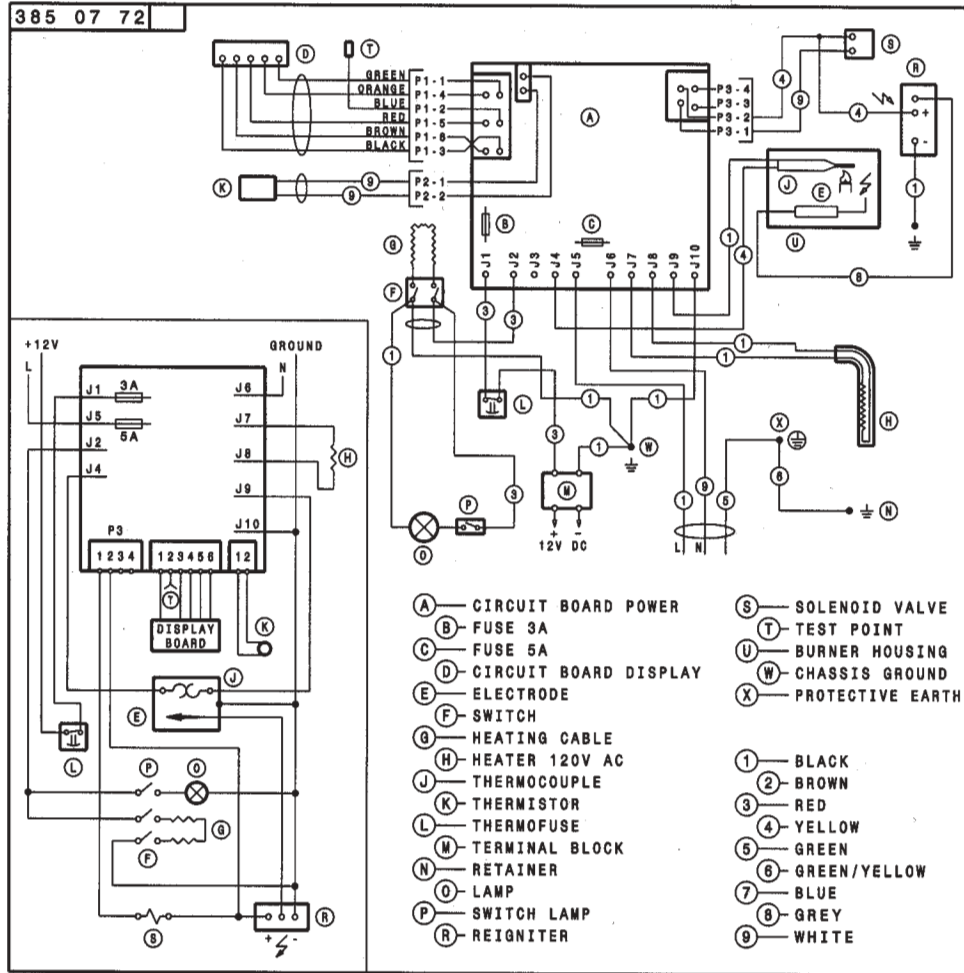
**CABINET, REAR VIEW****RM2820 921596010 = A**

<b>INDEX</b>	<b>PART NUMBER</b>	<b>MODELS</b>	<b>DESCRIPTION</b>
100	2934909108	A	Cooling UnitType 909, W/Thermofuse
101	0173228008	A	Cap
102	2933557007	A	Cover
125	2930784018	A	Protective Plate
135	2930785015	A	Protective Plate
140	3850582002	A	Label
141	3850583000	A	Label
144	3858039096	A	Screw, MRX M5x14, Zinc

**Only Those Parts Identified With An Index Number Are Available For Service Replacement.**

# WIRING DIAGRAM

RM2820 921596010



N38507720