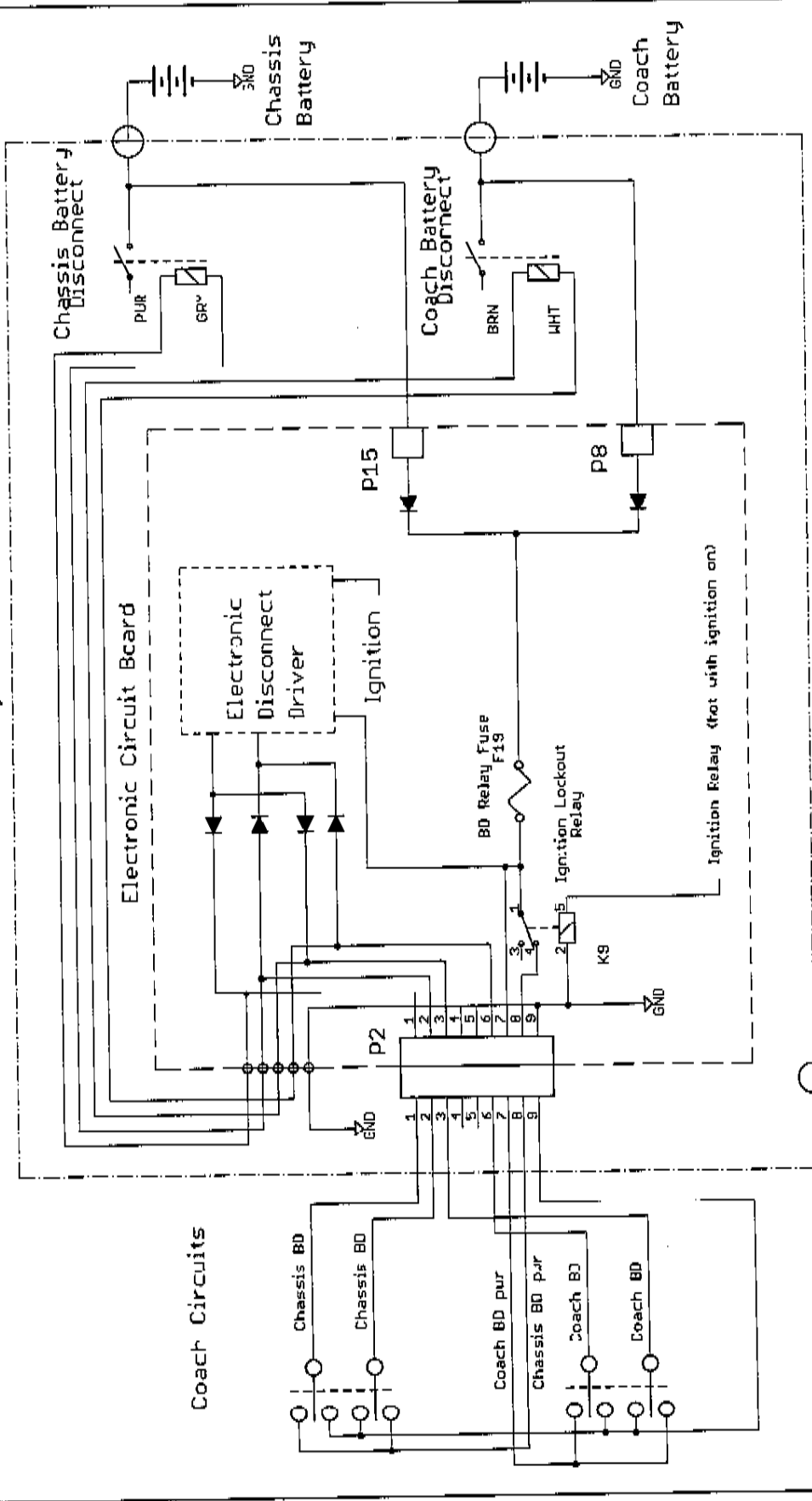


Fig. 1

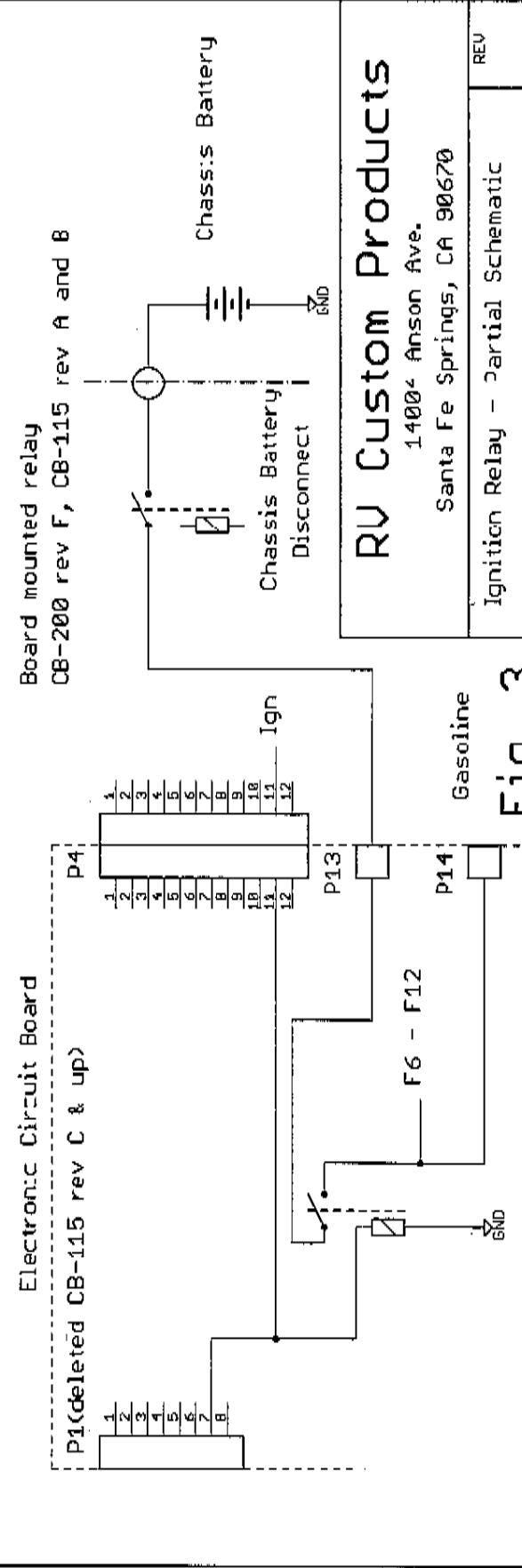
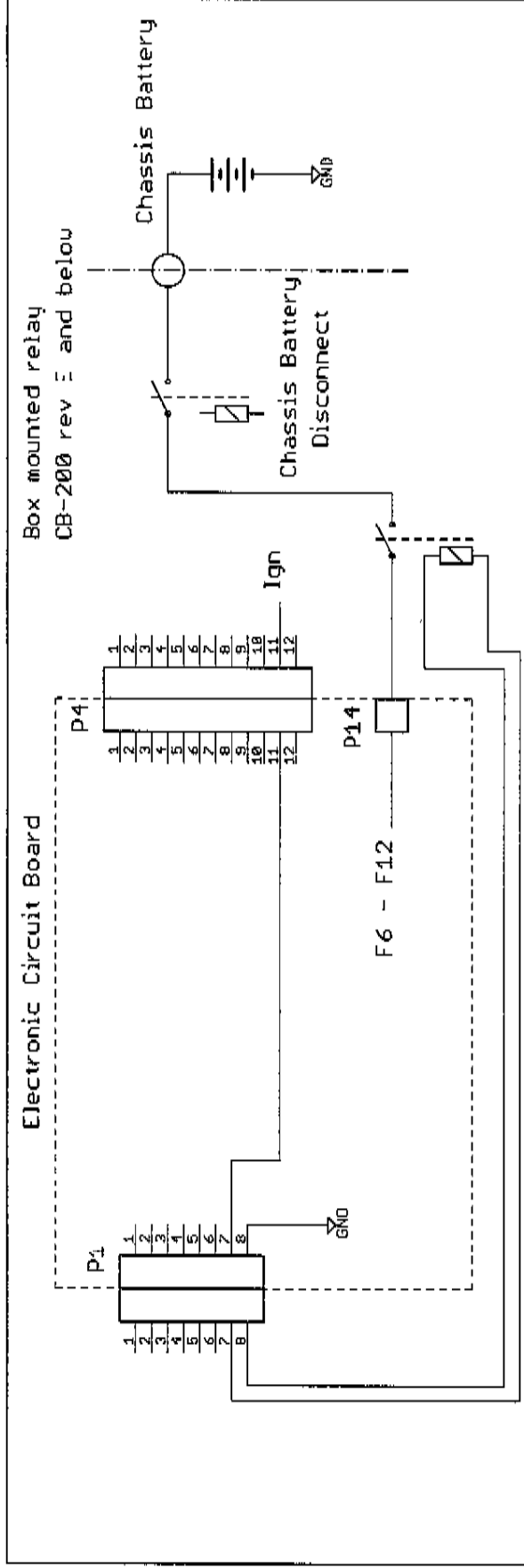
<b>RV Custom Products</b> 14004 Anscn Ave. Santa Fe Springs, CA 90670	
Battery Disconnects - Partial Schematic	REV
Date: 8/25/2010 9:08:21 AM	Sheet: 1/7

Battery Control Center



<b>RV Custom Products</b>	
14004 Anson Ave.	
Santa Fe Springs, CA 90670	
Battery Disconnects-partial schematic	REV
Date: 8/25/2010 9:08:21 AM	Sheet: 2/7

Fig. 2



**RV Custom Products**  
1400<sup>+</sup> Anson Ave.  
Santa Fe Springs, CA 90670

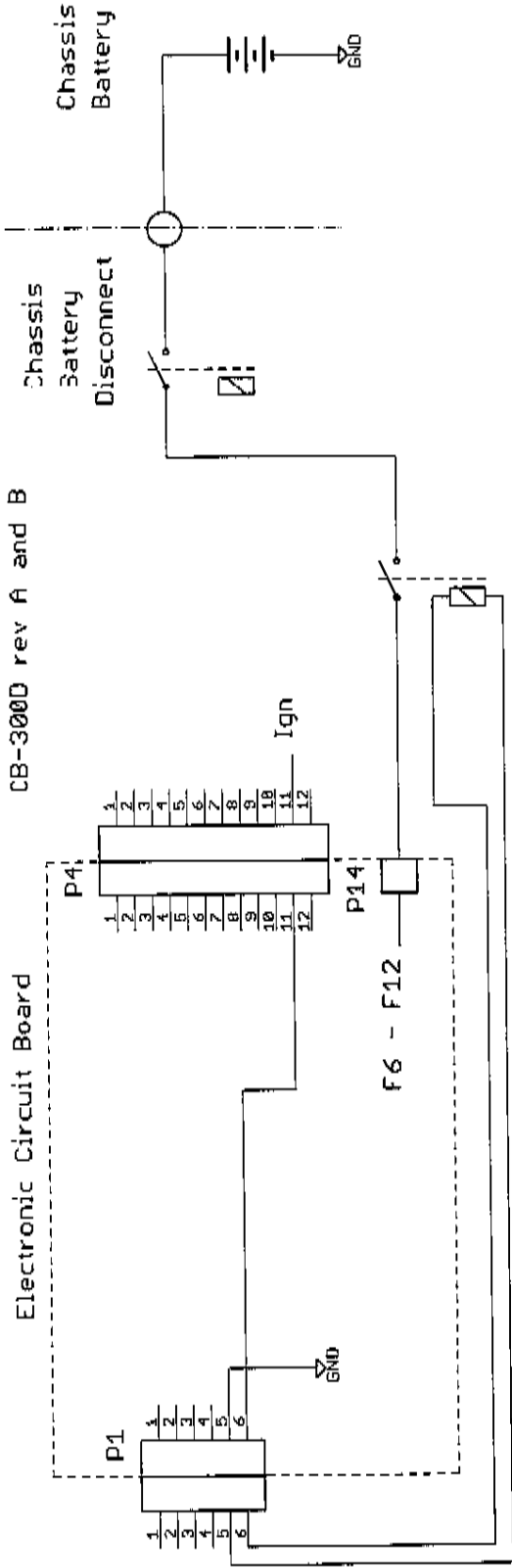
Ignition Relay - Partial Schematic

Date: 8/25/2010 9:08:21 AM

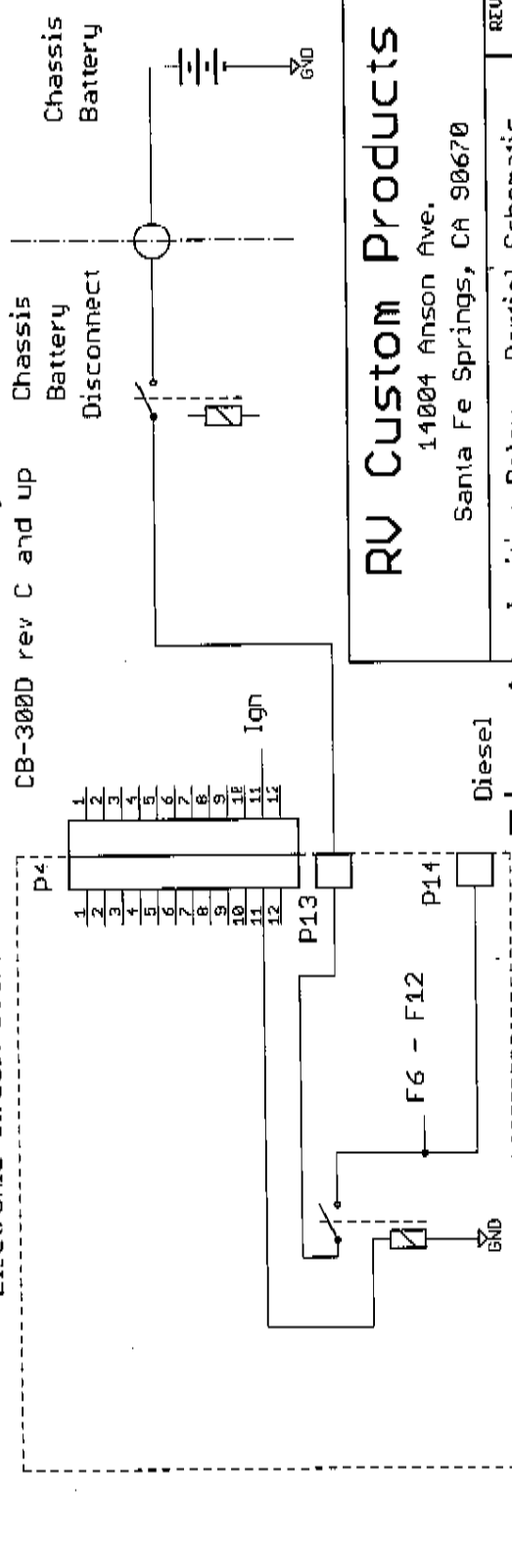
Sheet: 3/7

Fig. 3

Box mounted relay  
CB-300D rev A and B



Board mounted relay  
CB-300D rev C and up



**RV Custom Products**  
 14004 Anson Ave.  
 Santa Fe Springs, CA 90670

Ignition Relay - Partial Schematic

REV

Date: 8/25/2010 9:08:21 AM

Sheet: 4/7

**Fig. 4**

Diesel

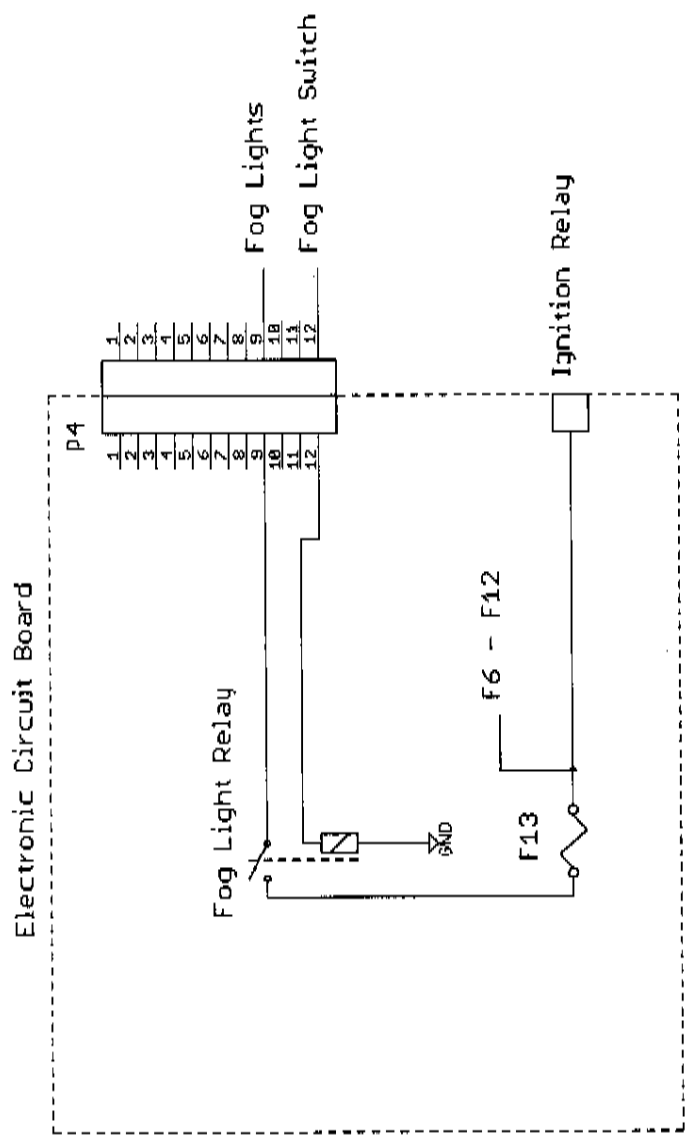


Fig. 5

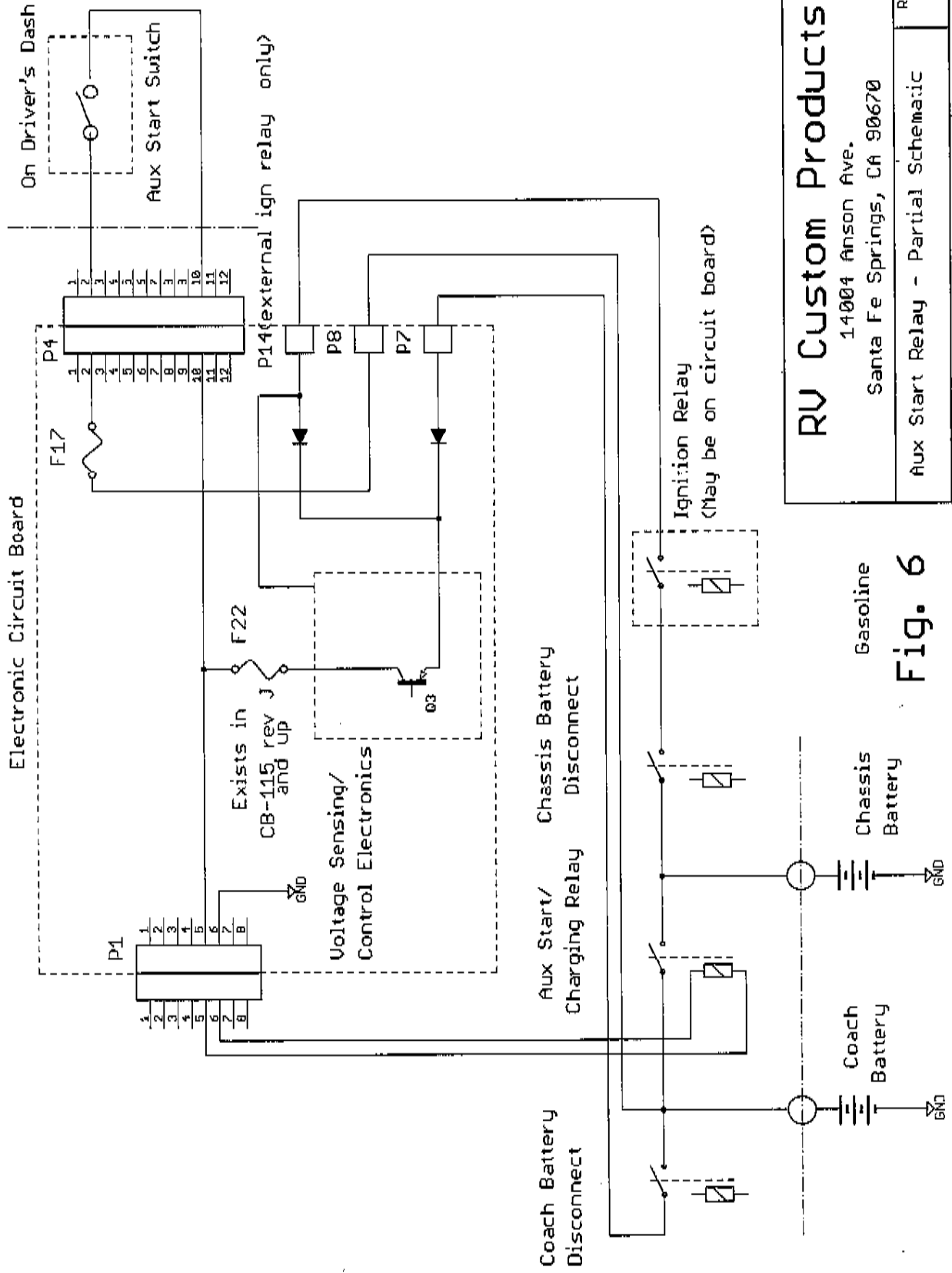
**RV Custom Products**  
 14004 Anson Ave.  
 Santa Fe Springs, CA 90670

Fog Light Relay - Partial Schematic

REV

Date: 8/25/2010 9:08:21 AM

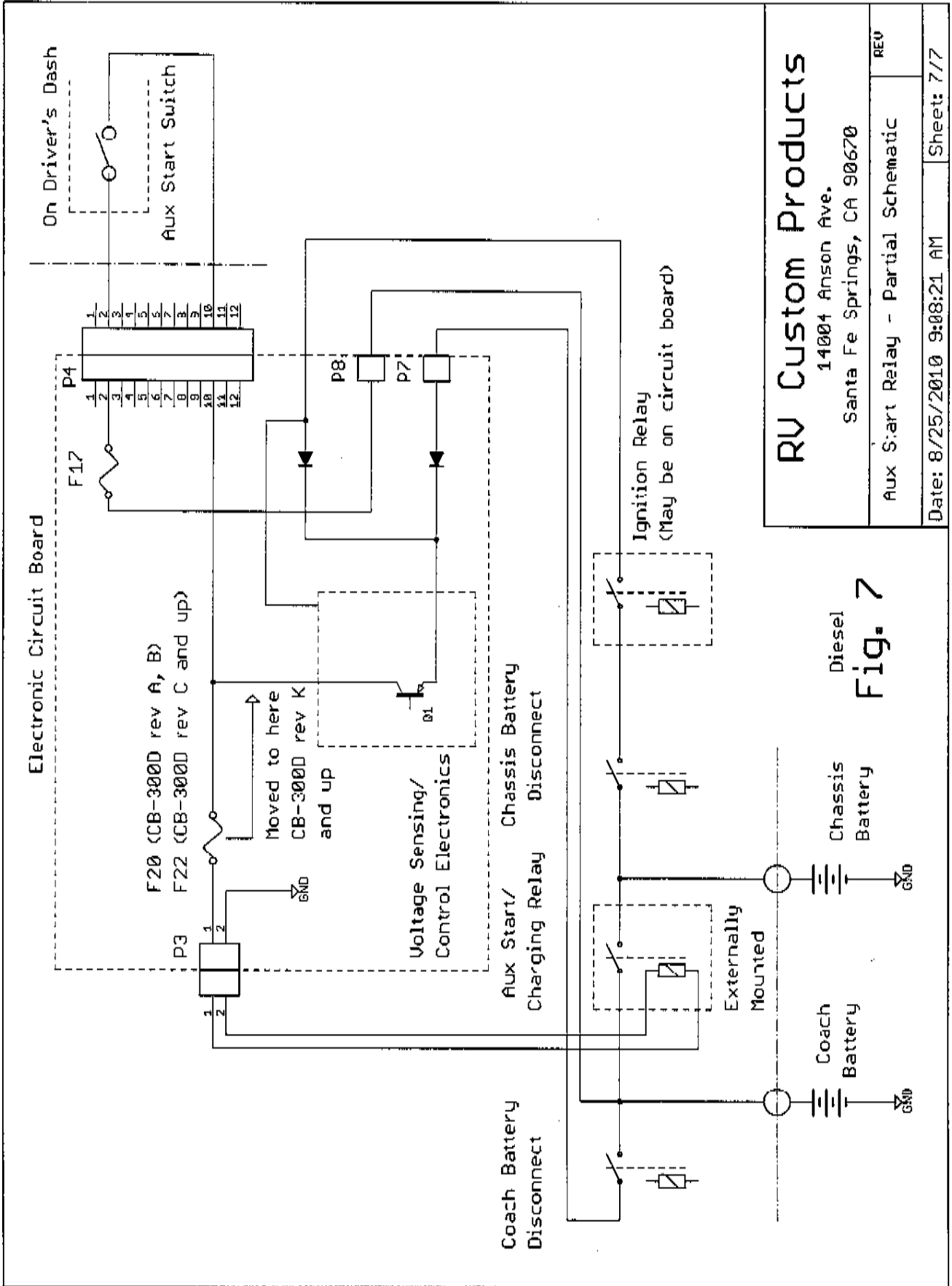
Sheet: 5/7



**RV Custom Products**  
 14004 Anson Ave.  
 Santa Fe Springs, CA 90670

Aux Start Relay - Partial Schematic  
 REV

Date: 8/25/2010 9:08:21 AM Sheet: 6/7



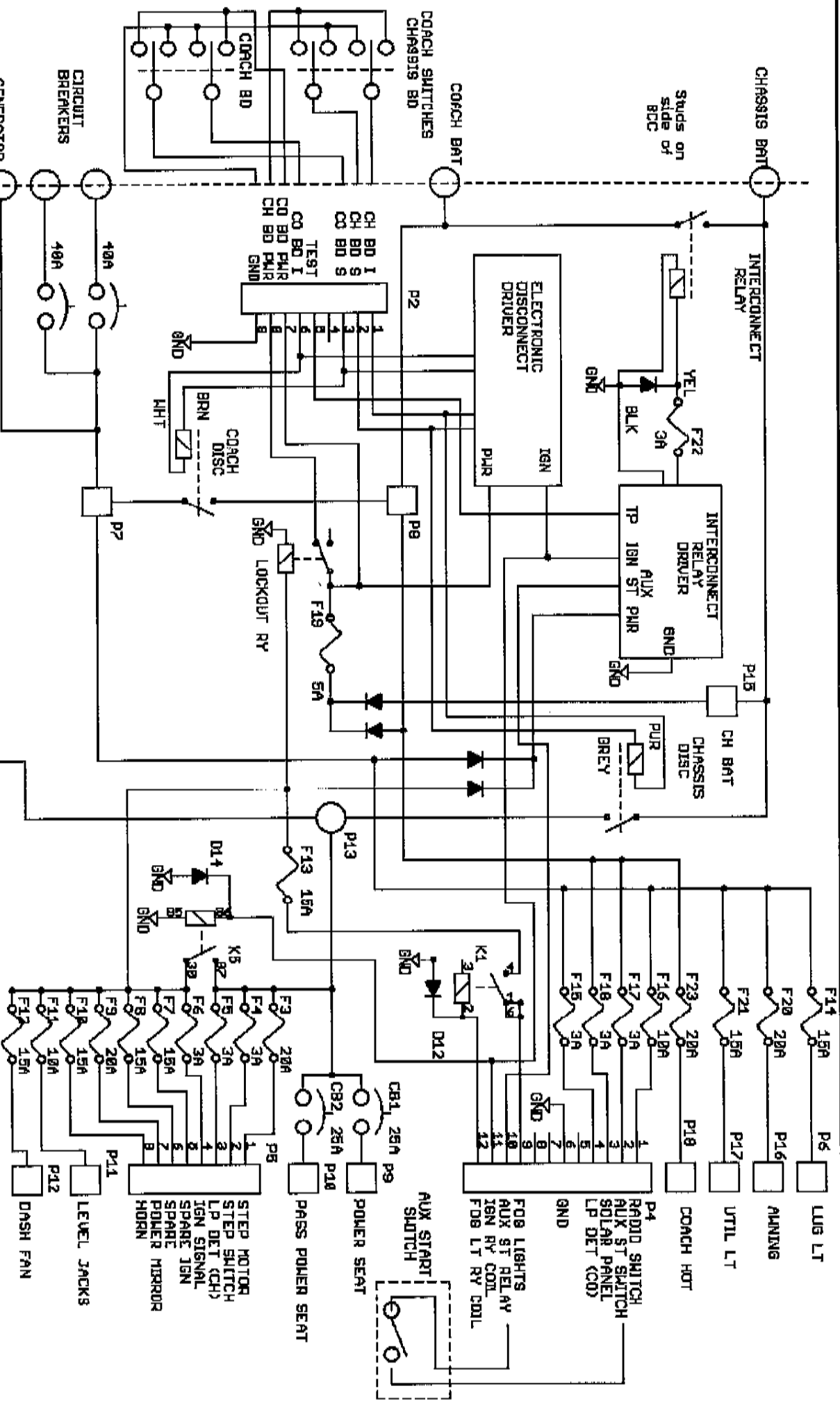
**RV Custom Products**  
 14004 Anson Ave.  
 Santa Fe Springs, CA 90670

Aux Start Relay - Partial Schematic

Date: 8/25/2010 9:08:21 AM

Sheet: 7/7

Fig. 7



Circuit board and parts  
Inside of BCC

# RV Custom Products

TITLE: F73-1020 Block Diagram

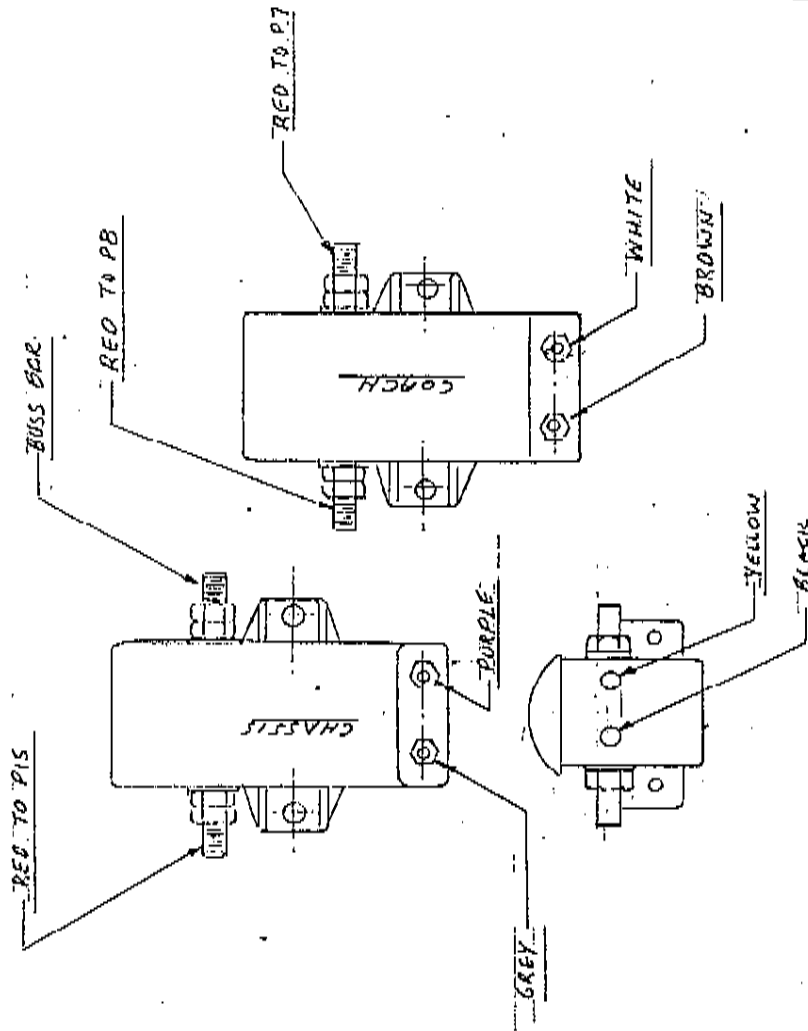
Document Number:  
**F73-1020 Block Diagram**

Date: 5/31/2007 08:33:42a

Sheet: 1/1







ELECTRICAL WIRING

SCALE:

APPROVED BY:

DRAWN BY:

DATE: 5-5-06

REVISED

R.V. CUSTOM PRODUCTS, INC.

DRAWING NUMBER

PG 15

11 R 17 PRINTED ON NO. 100OH CLEARPAPER

15



Attn: All Fleetwood Parts & Service  
 CB-115 REV P is a replacement for RV Custom Products PC boards  
 CB-200 Rev A thru P. CB-115 REV P has circuit board mounted  
 ignition relay. When installing REV P board it is unnecessary to  
 connect the ignition relay mounted in breaker box.  
 do not remove relay and the orange wire is no longer needed.  
 Connect one black wire of AUX start relay to breaker box.

