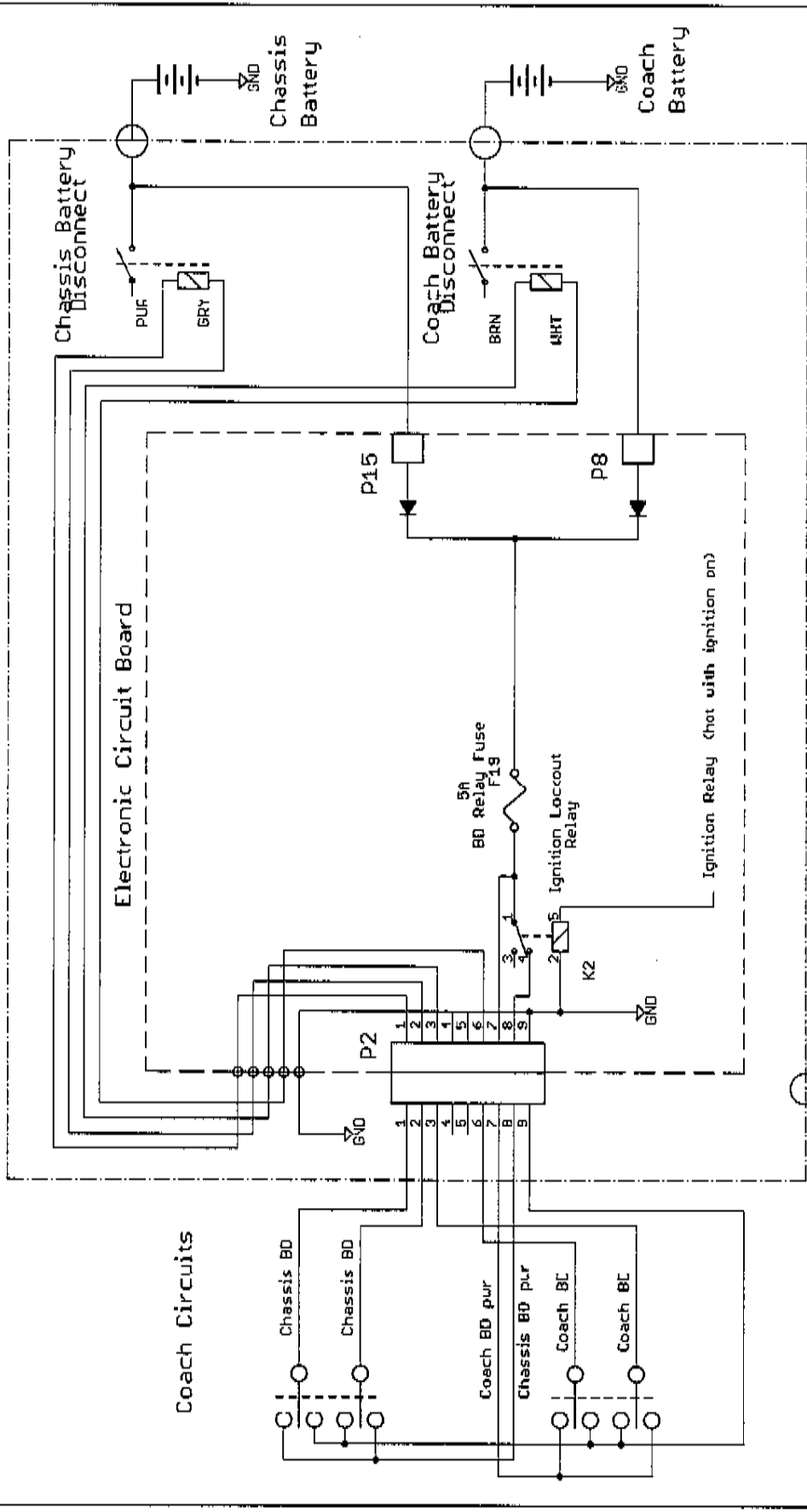


Battery Control Center



RV Custom Products
 14004 Anscn Ave.
 Santa Fe Springs, CA 90670

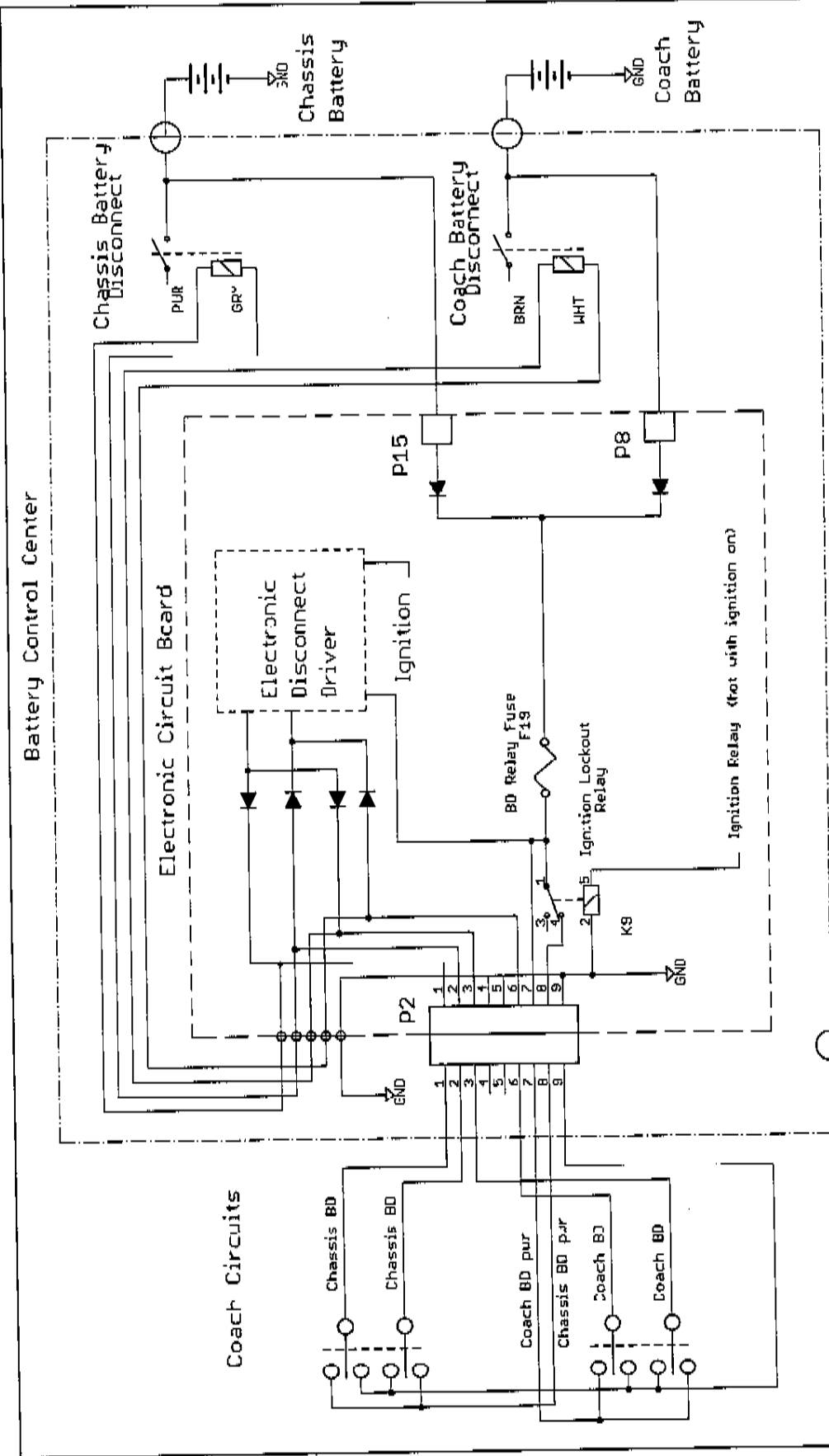
Battery Disconnects - Partial Schematic

Date: 8/25/2010 9:08:21 AM

Sheet: 1/7

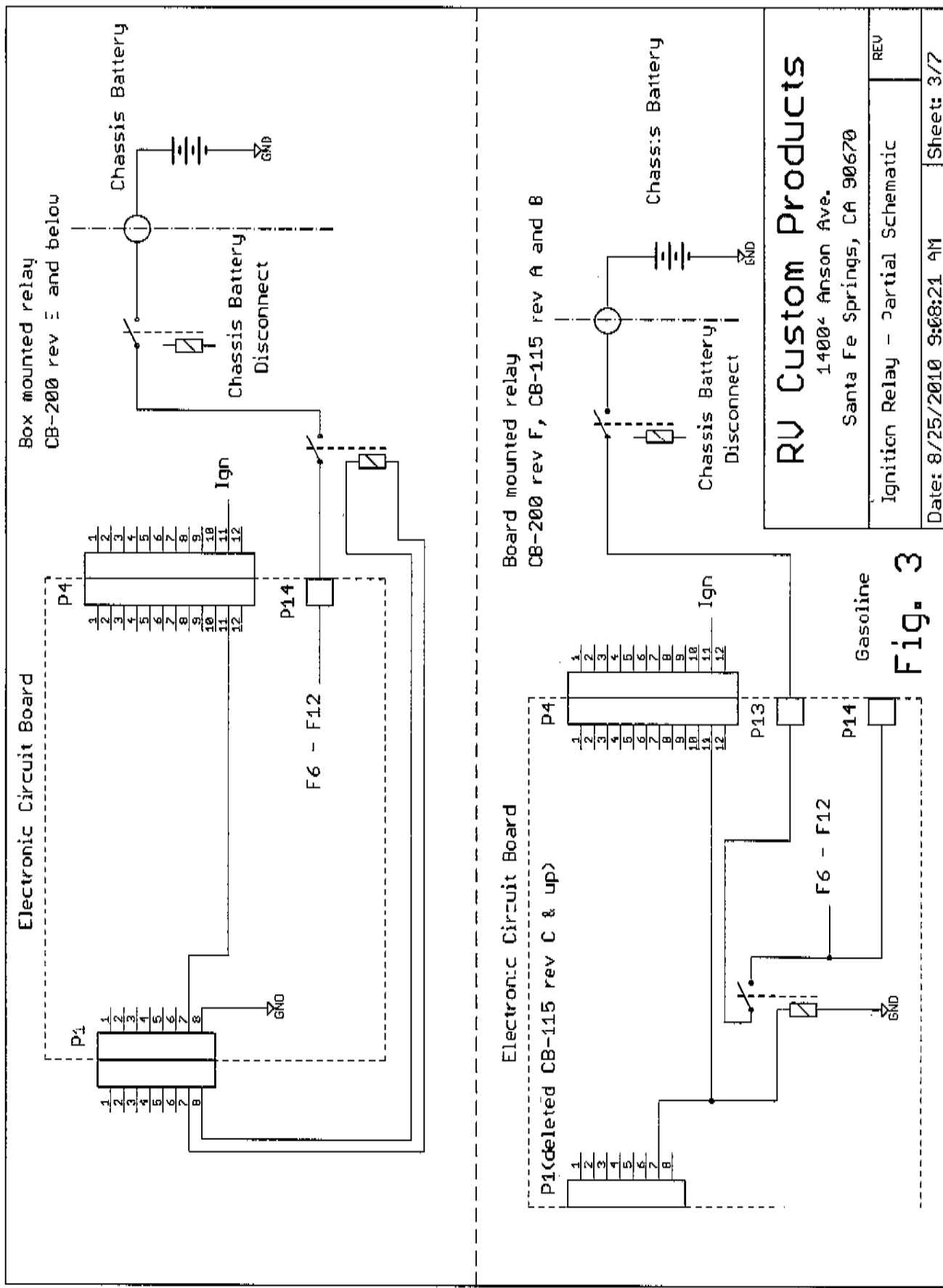
Fig. 1

REV



RV Custom Products	
14004 Anson Ave. Santa Fe Springs, CA 90670	
Battery Disconnects-partial schematic	REV
Date: 8/25/2010 9:08:21 AM	Sheet: 2/7

Fig. 2

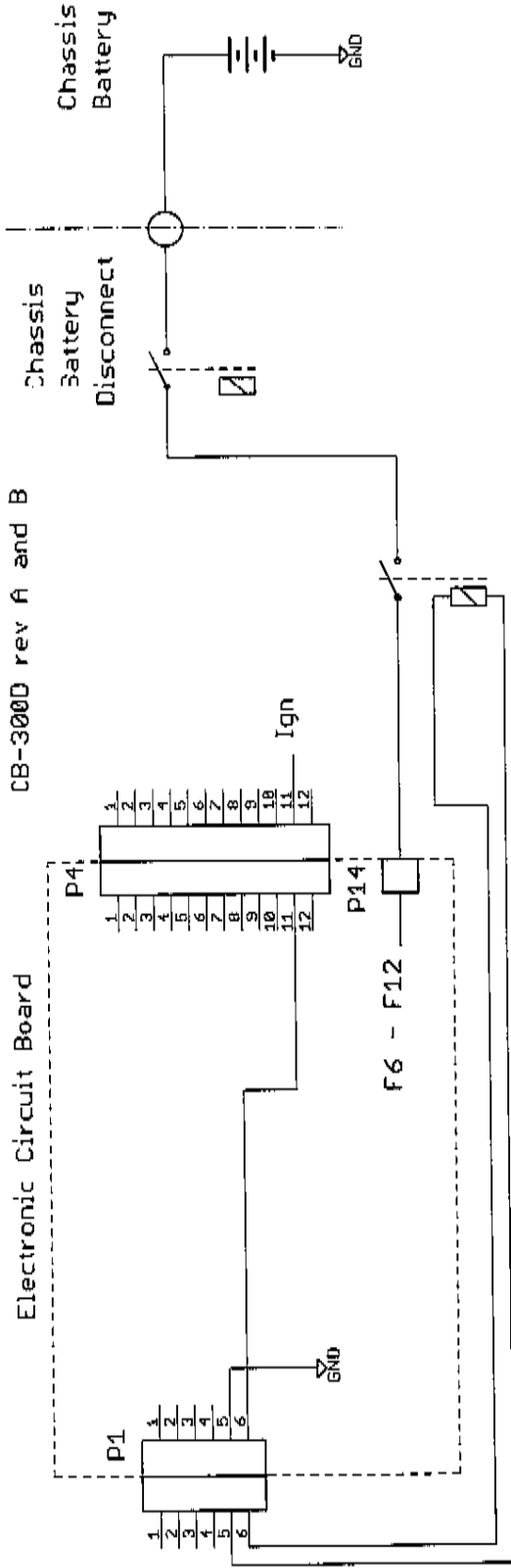


RV Custom Products
 1400⁺ Anson Ave.
 Santa Fe Springs, CA 90670

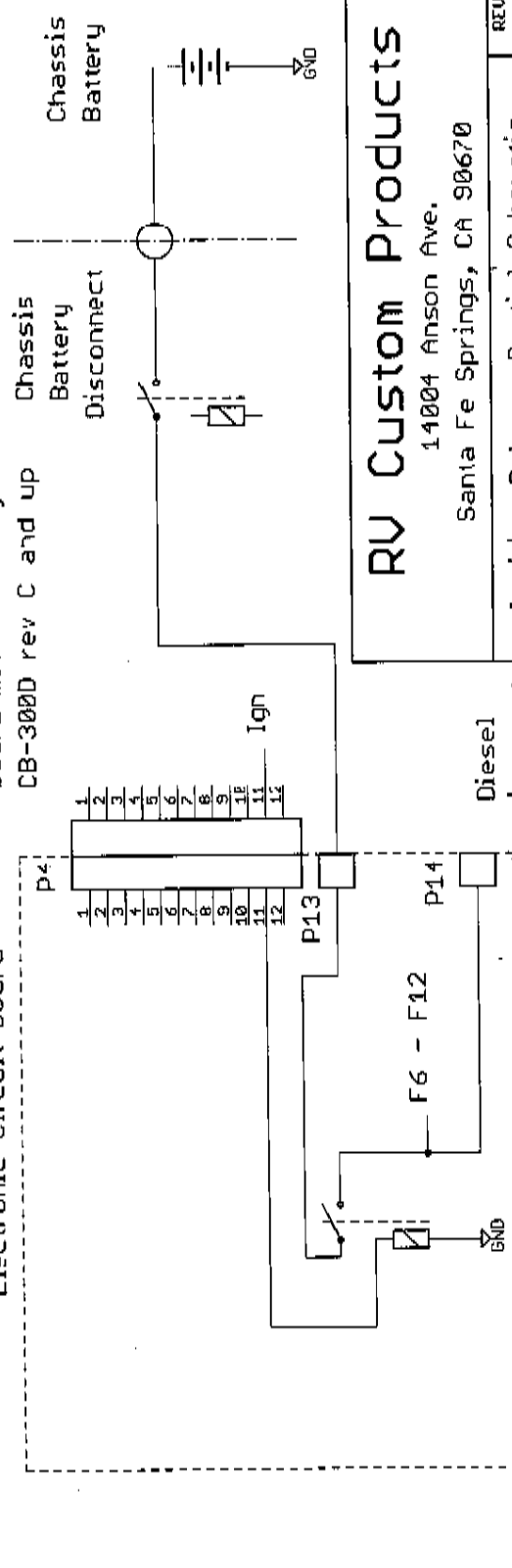
Ignition Relay - Partial Schematic
 REV
 Date: 8/25/2010 9:08:21 AM
 Sheet: 3/7

Fig. 3

Box mounted relay
CB-300D rev A and B



Board mounted relay
CB-300D rev C and up



RV Custom Products
 14004 Anson Ave.
 Santa Fe Springs, CA 90670

Ignition Relay - Partial Schematic

REV

Fig. 4

Date: 8/25/2010 9:08:21 AM

Sheet: 4/7

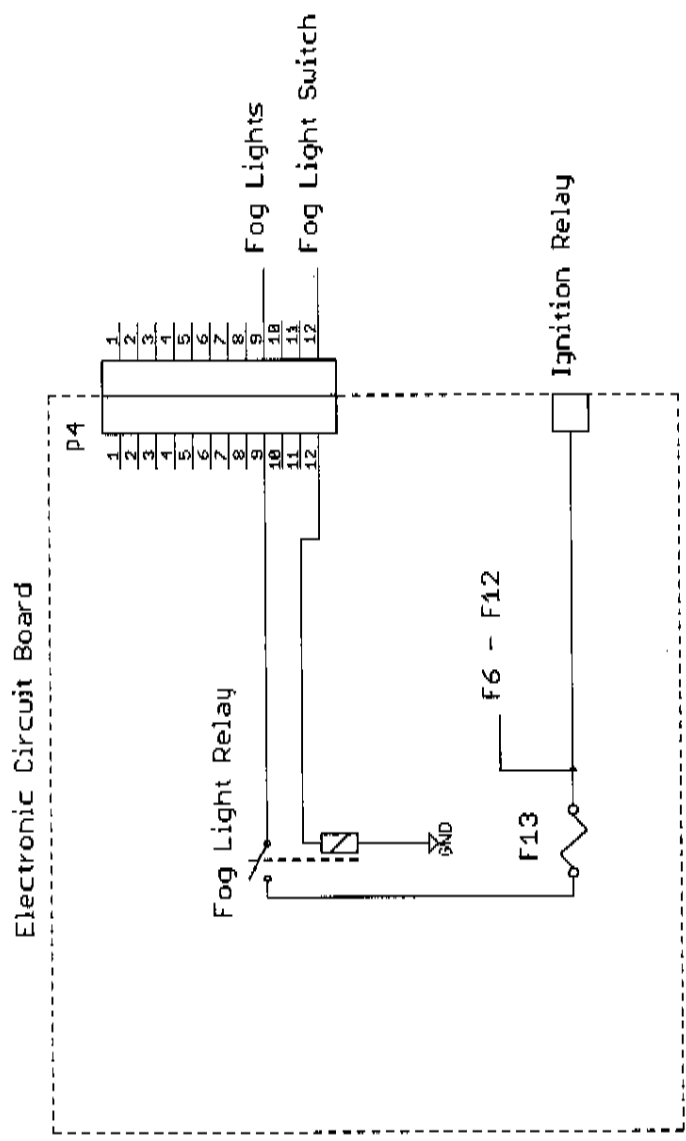


Fig. 5

RV Custom Products
 14004 Anson Ave.
 Santa Fe Springs, CA 90670

Fog Light Relay - Partial Schematic

REV

Date: 8/25/2010 9:08:21 AM

Sheet: 5/7

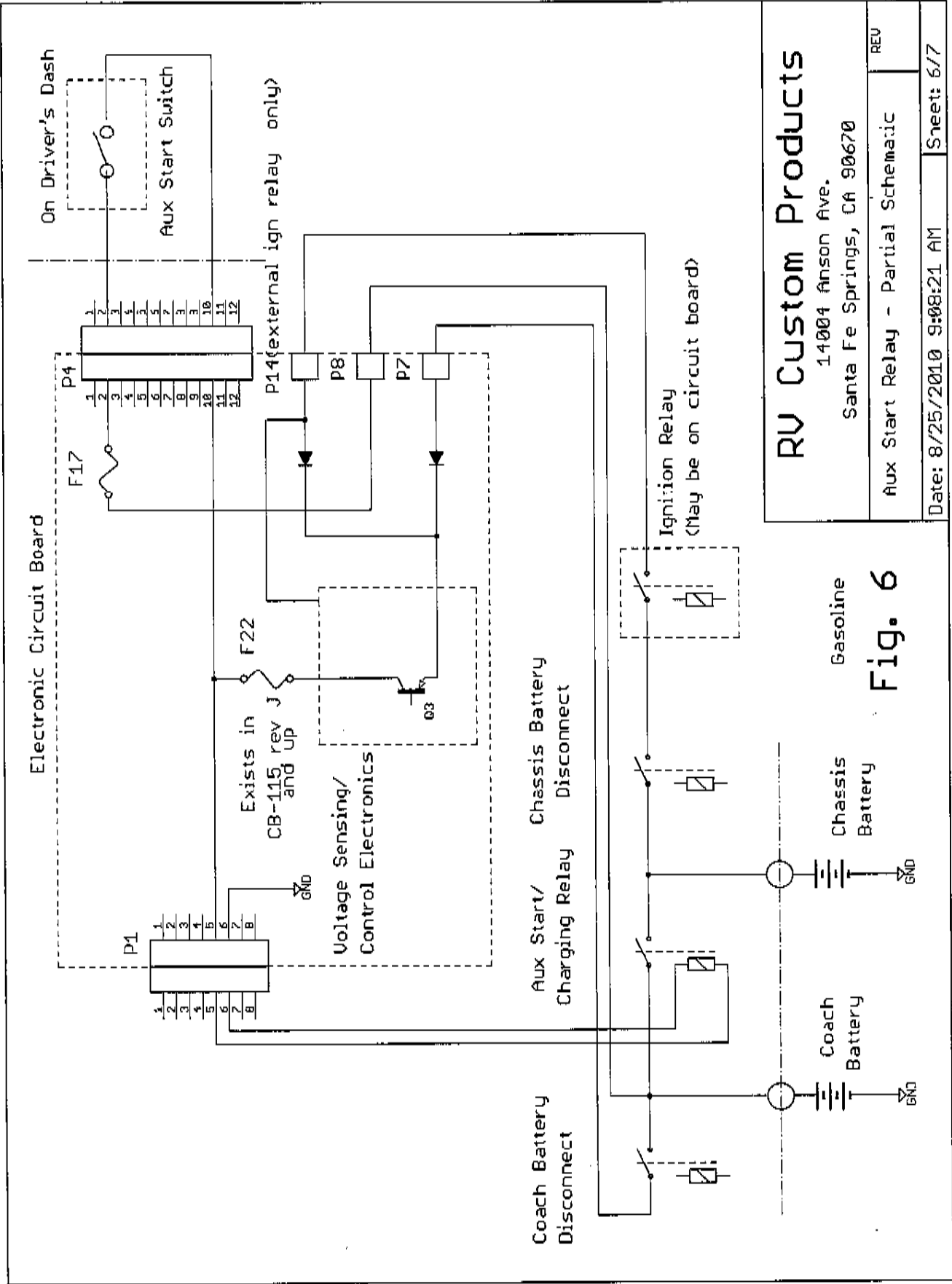


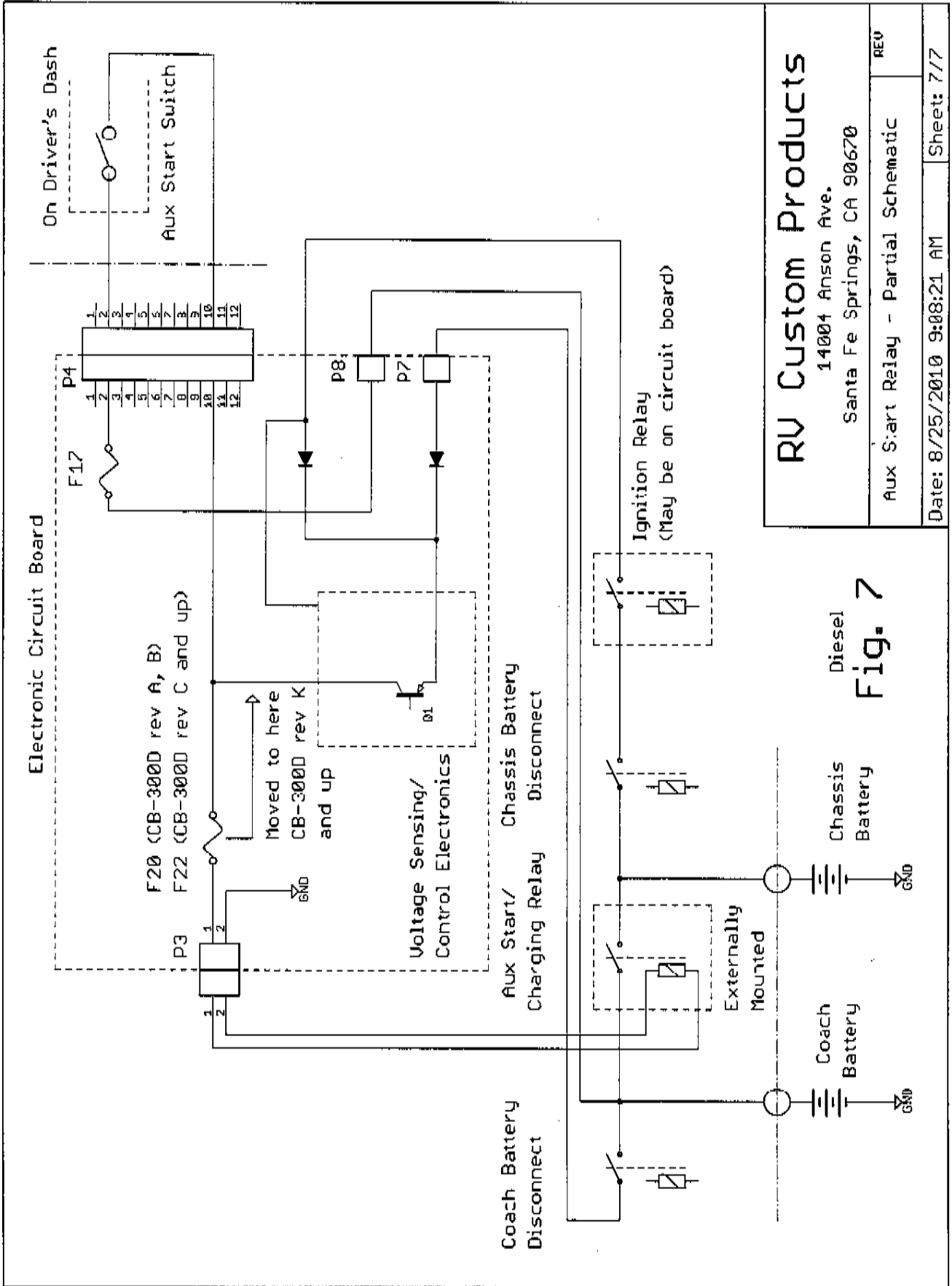
Fig. 6

RV Custom Products
 14004 Anson Ave.
 Santa Fe Springs, CA 90670

Aux Start Relay - Partial Schematic

Date: 8/25/2010 9:08:21 AM Sheet: 6/7

REV



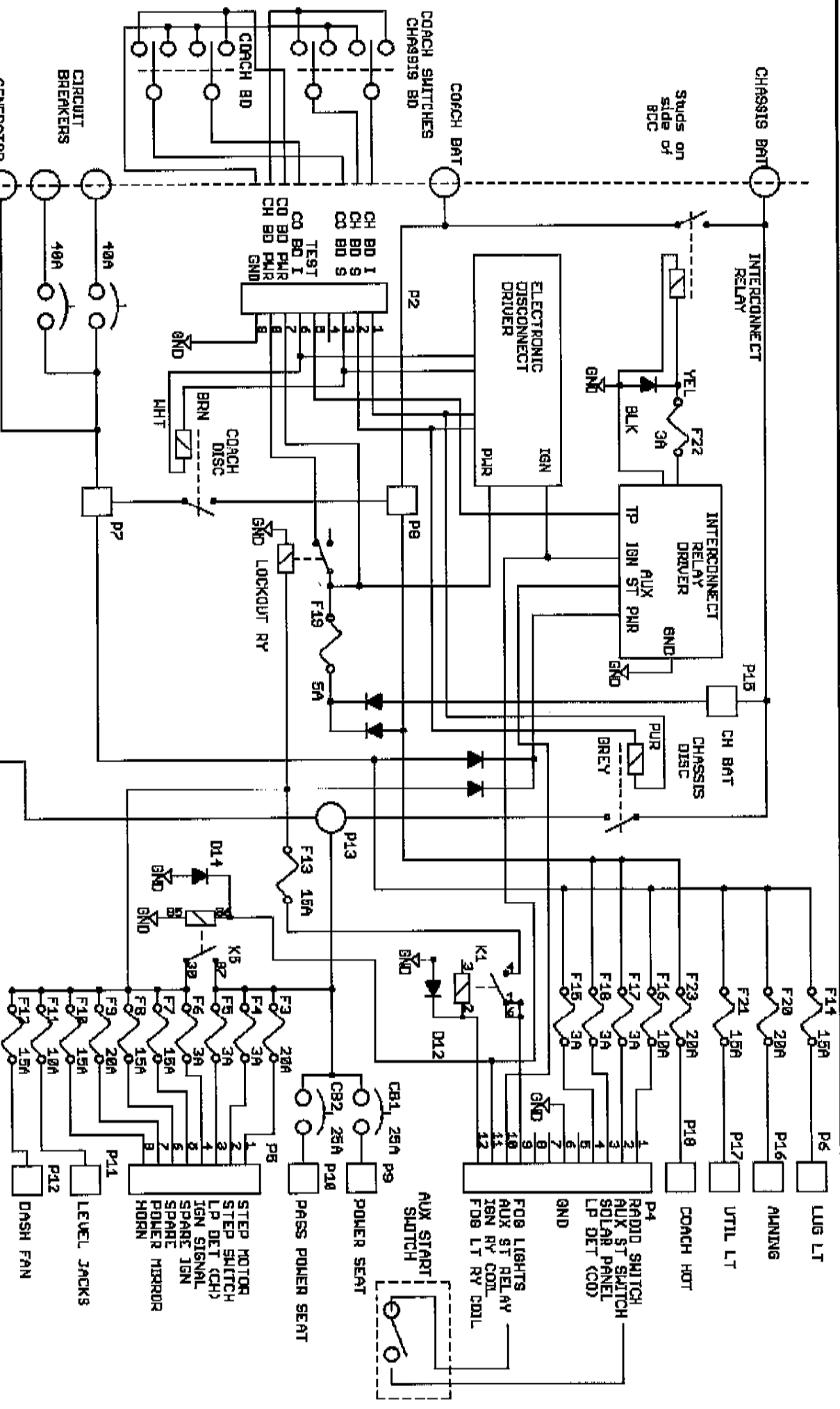
RV Custom Products
 14004 Anson Ave.
 Santa Fe Springs, CA 90670

Aux Start Relay - Partial Schematic

Date: 8/25/2010 9:08:21 AM

Sheet: 7/7

Fig. 7



Circuit board and parts
Inside of BCC

RU Custom Products

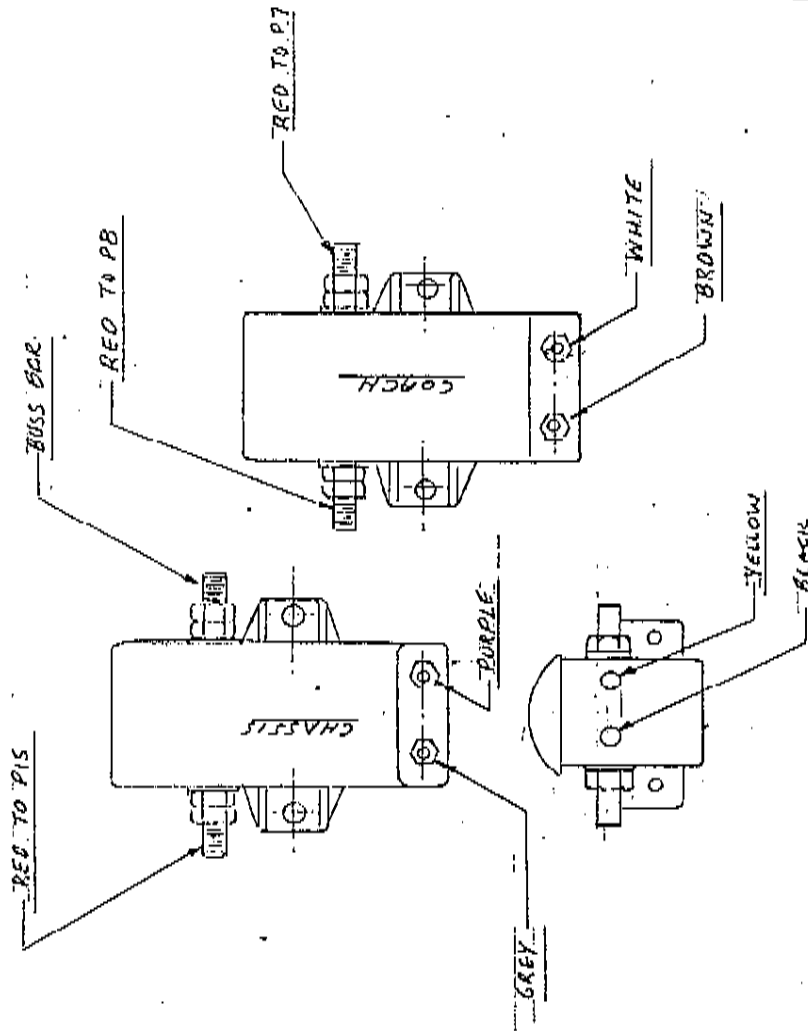
TITLE: F73-1020 Block Diagram

Document Number:

F73-1020 Block Diagram

Date: 5/31/2007 08:33:42a

Sheet: 1/1



ELECTRICAL WIRING

SCALE:	APPROVED BY:
DATE: 5-5-06	REVISED:

R.V. CUSTOM PRODUCTS, INC.

DRAWING NUMBER
PG 15

11 R 17 PRINTED ON NO. 100OH CLEARPAPER

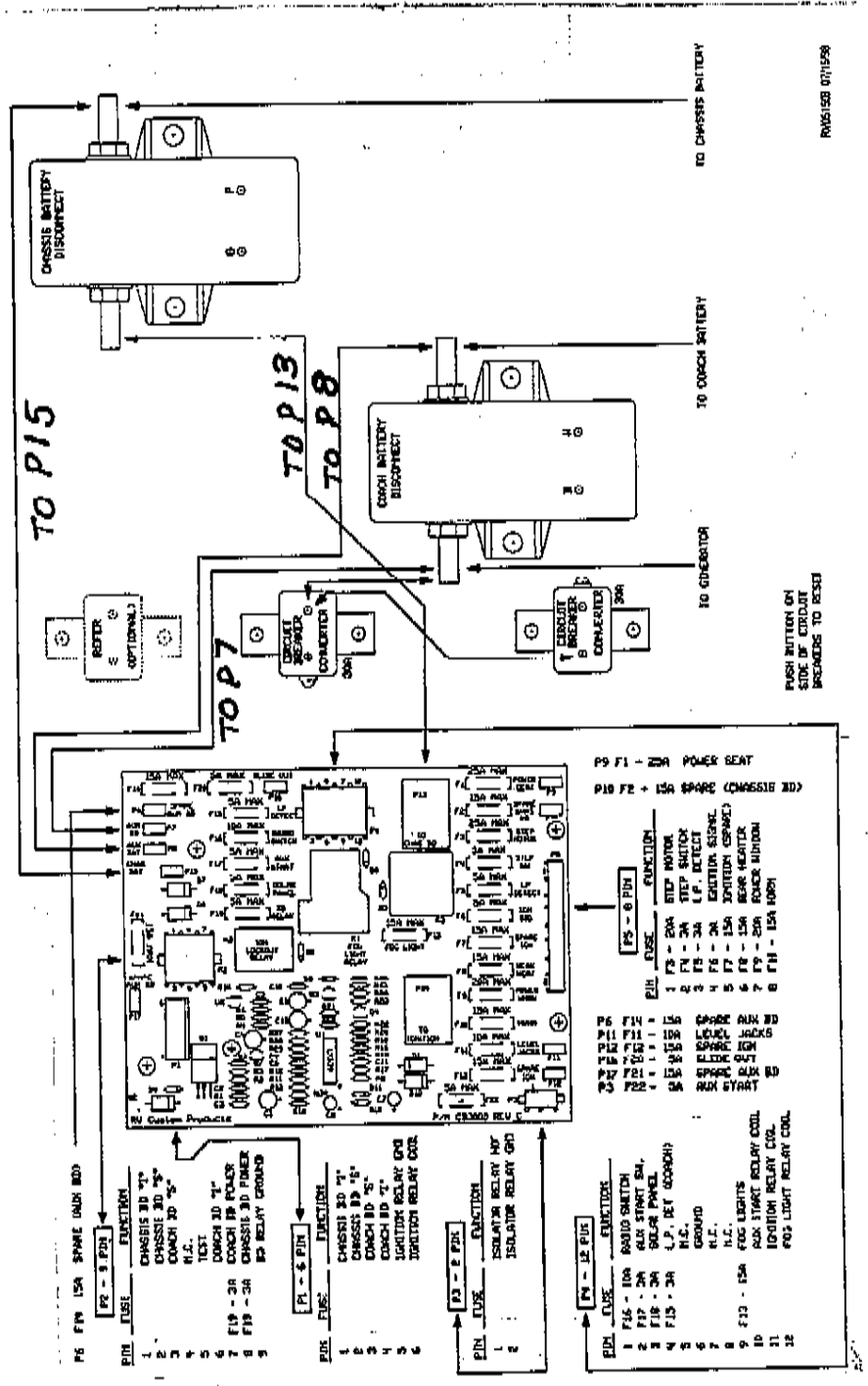
15

ATTN: ALL FLEETWOOD PARTS & SERVICE

CB-300 REV. P IS A REPLACEMENT FOR RV CUSTOM PRODUCTS PC BOARDS REV. A, B, C, D, & E, & F, G, H, K, L, N, P

CB-300 REV. P HAS CIRCUIT BOARD MOUNTED IGNITION RELAY. WHEN INSTALLING REV. P BOARD IT IS UNNECESSARY TO CONNECT THE IGNITION RELAY MOUNTED IN BREAKER BOX.

SHORT BLACK WIRE IS GROUND AND SHOULD BE ATTACHED TO BREAKER BOX.



RVMS-50 07/1979

PUSH BUTTON ON SIDE OF CIRCUIT BREAKERS TO RESET

Attn: All Fleetwood Parts & Service
 CB-115 REV P is a replacement for RV Custom Products PC boards
 CB-200 Rev A thru P. CB-115 REV P has circuit board mounted
 ignition relay. When installing REV P board it is unnecessary to
 connect the ignition relay mounted in breaker box.
 do not remove relay and the orange wire is no longer needed.
 Connect one black wire of AUX start relay to breaker box.

