



**SLIDE TOPPER<sup>™</sup>**

**USA**

SERVICE OFFICE  
Dometic Corporation  
2320 Industrial Parkway  
Elkhart, IN 46516  
574-294-2511

**CANADA**

Dometic Corporation  
46 Zatonski, Unit 3  
Brantford, ON N3T 5L8  
CANADA  
519-720-9578

**For Service Center  
Assistance Call:**  
800-544-4881

**Elite FC Slide Topper  
FABRIC ROLLER TUBE ASSEMBLY  
86(XXX)(XX).(XXX)-(X)  
MONOCHROMATIC  
See Page 2 for model numbers**

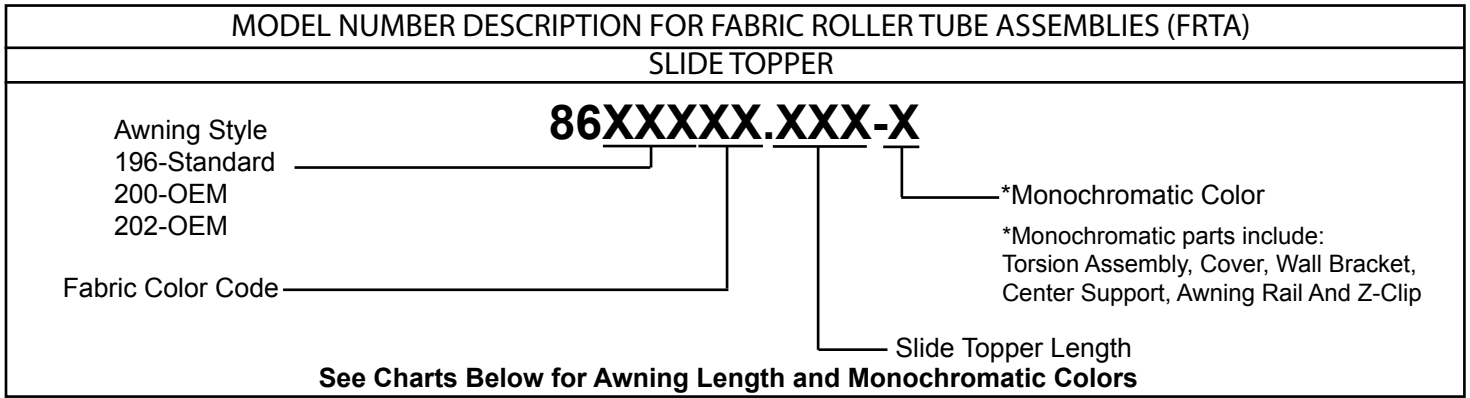
**PARTS LIST**

**MODELS**

**86196 Series  
86200 Series  
86202 Series**

**REVISION:**

Form No. 3308305.014 2/06  
(Replaces 3308305.006)  
©2006 Dometic Corporation  
LaGrange, IN 46761



SPECIFICATIONS

	Length	Turns
TORQUE	66" – 198"	13
Direction for Winding Torsion	RH = Counterclockwise LH = Clockwise	

Monochromatic Colors
B Suffix = Polar White
H Suffix = Mende Polar White
R Suffix = Champagne
S Suffix = Satin
U Suffix = Black
V Suffix = Gold

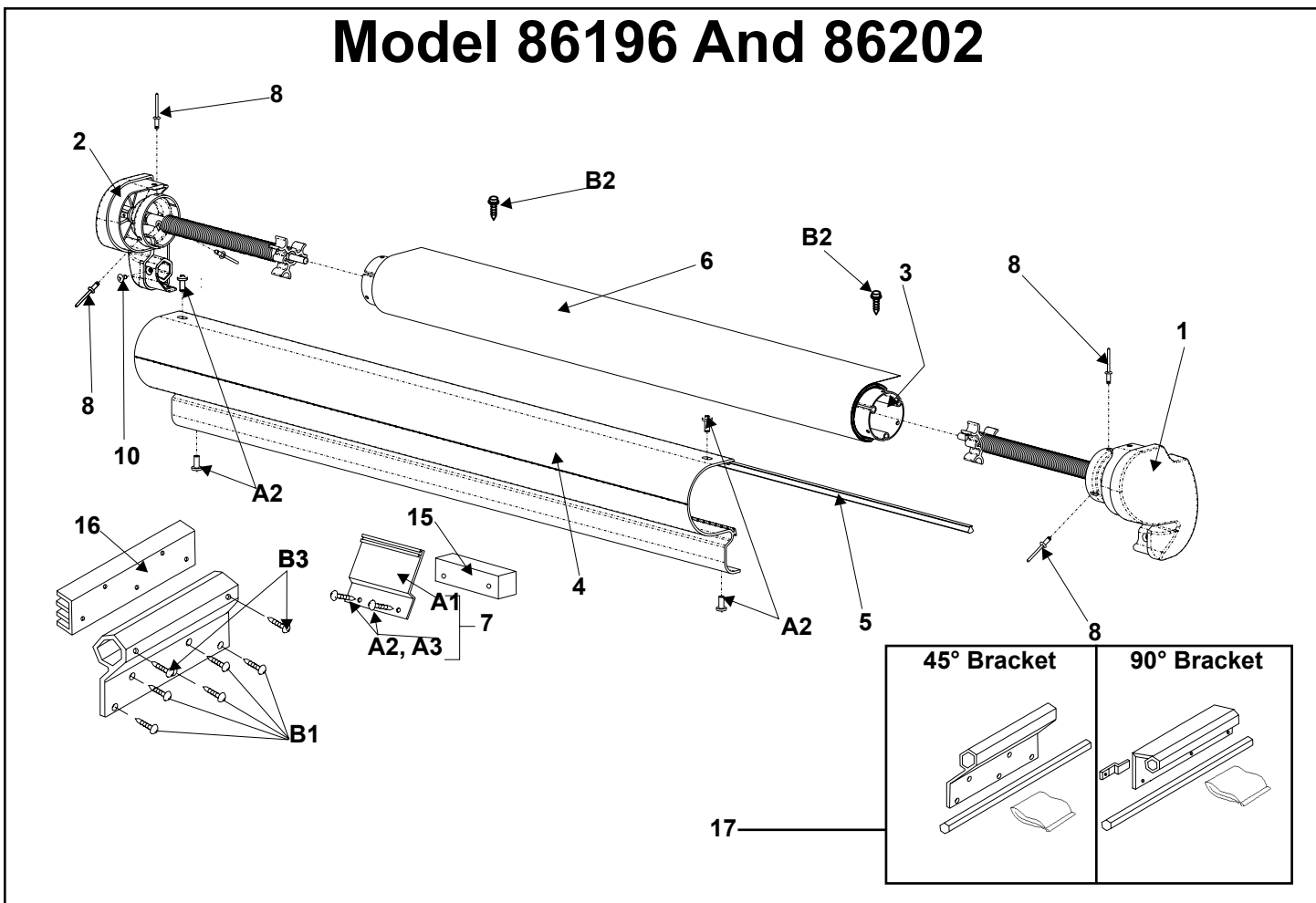
Fabric Color Chart		
Color Code	Color	Fabric
AT	Gray	Acrylic
BN		Black Acrylic
BR		Blue Shadow
		Acrylic
BS	Sand Shadow	Acrylic
CD		Sapphire Acrylic
CQ		Polar White
		Vinyle
DA		Burgundy
		Acrylic
DM	Linen	Acrylic
DP	Taupe	Acrylic
EE	Linen Tweed	Acrylic
EJ	Gray	Vinyle
EK	Charcoal Gray	Acrylic
EU	Charcoal Tweed	Acrylic
FF	Toast	Acrylic
FH	Beige	Vinyle
FJ	Black	Vinyle
FN	Satin	Vinyle
FP	Champaign	Vinyle
FQ	Gold	Vinyle
FR	Beige/Heather	Acrylic
FX	Mahogany	Acrylic

**86196, 86200 & 86202 Elite FC Slide Topper Parts List**

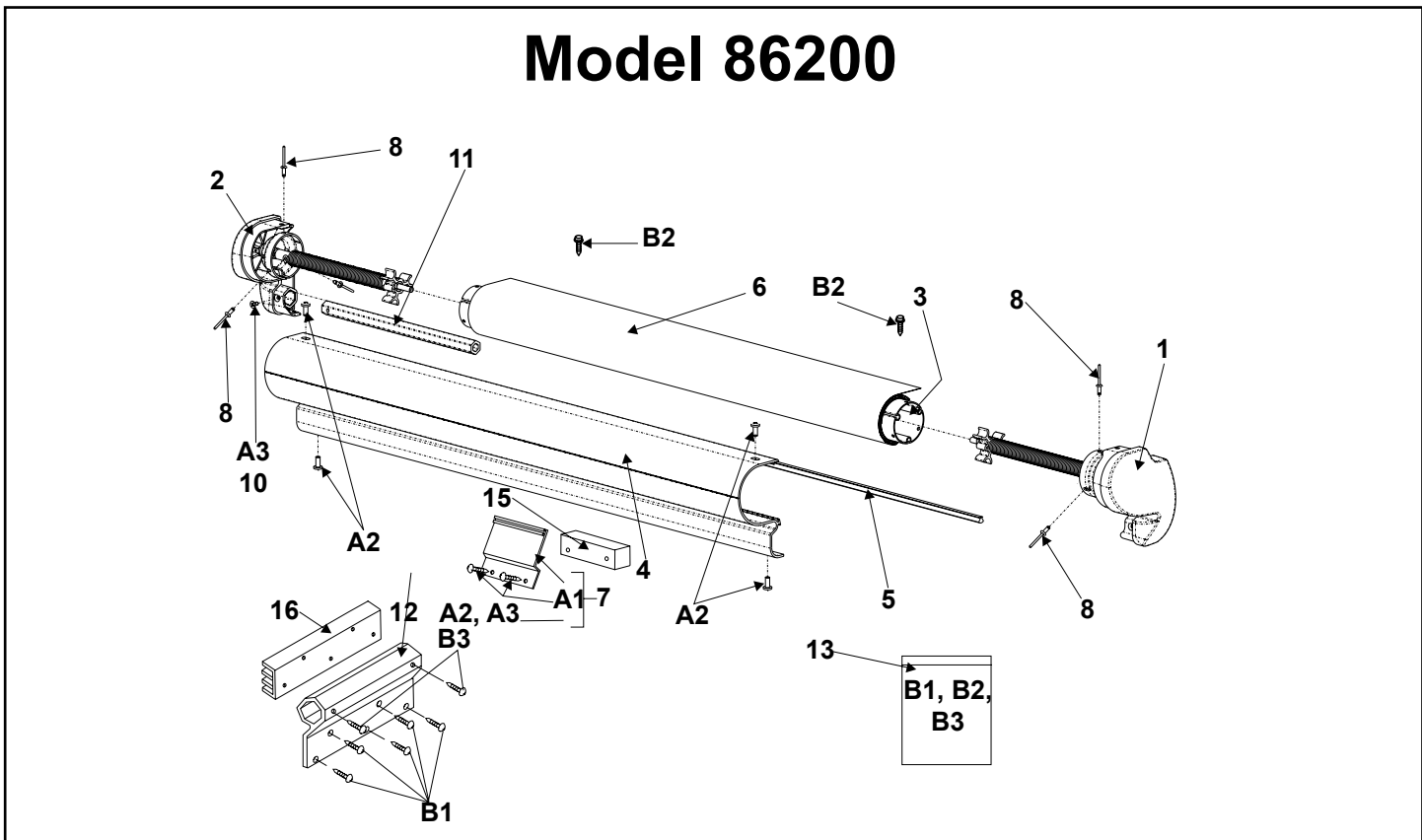
Model Number Chart			Length Chart	
			Slide Topper Length	Suffix Number
	86200(XX).060-(X)	86202(XX).060-(X)	66"	060
86196(XX).066-(X)	86200(XX).066-(X)	86202(XX).66-(X)	66"	060
	86200(XX).016-(X)		71.25"	016
8196(XX).072-(X)	86200(XX).072-(X)	86202(XX).072-(X)	72"	072
	86200(XX).011-(X)		76.15"	011
	86200(XX).031-(X)		76.5"	031
86196(XX).078-(X)	86200(XX).078-(X)	86202(XX).078-(X)	78"	078
	86200(XX).017-(X)		81"	017
86196(XX).084-(X)	86200(XX).084-(X)	86202(XX).084-(X)	84"	084
	86200(XX).032-(X)		86.25"	032
	86200(XX).006-(X)		86.5"	006
86196(XX).090-(X)	86200(XX).090-(X)	86202(XX).090-(X)	90"	090
	86200(XX).033-(X)		91.75"	033
86196(XX).096-(X)	86200(XX).096-(X)	86202(XX).096-(X)	96"	096
	86200(XX).015-(X)		97.5"	015
86196(XX).102-(X)	86200(XX).102-(X)	86202(XX).102-(X)	102"	102
	86200(XX).019-(X)		102.75"	019
86196(XX).108-(X)	86200(XX).108-(X)	86202(XX).108-(X)	108"	108
86196(XX).114-(X)	86200(XX).114-(X)	86202(XX).114-(X)	114"	114
	86200(XX).010-(X)		116.5"	010
	86200(XX).020-(X)		118.75"	020
86196(XX).120-(X)	86200(XX).120-(X)	86202(XX).120-(X)	120"	120
	86200(XX).034-(X)		124"	034
	86200(X).007-(X)		124.5"	007
86196(XX).126-(X)	86200(XX).126-(X)	86202(XX).126-(X)	126"	126
86196(XX).132-(X)	86200(XX).132-(X)	86202(XX).132-(X)	132"	132
86196(XX).138-(X)	86200(XX).138-(X)	86202(XX).138-(X)	138"	138
	86200(XX).030-(X)		138.75"	030
	86200(XX).005-(X)		139"	005
86196(XX).144-(X)	86200(XX).144-(X)	86202(XX).144-(X)	144"	144
	86200(XX).021-(X)		147"	021
86196(XX).150-(X)	86200(XX).150-(X)	86202(XX).150-(X)	150"	150
	86200(XX).022-(X)		151.25"	022
	86200(XX).152-(X)		152"	152
86196(XX).156-(X)	86200(XX).156-(X)	86202(XX).156-(X)	156"	156
	86200(XX).037-(X)		156.5"	037
	86200(XX).023-(X)		160"	023
86196(XX).162-(X)	86200(X).162-(X)	86202(XX).162-(X)	162"	162
	86200(XX).015-(X)		162.5"	015
	86200(XX).018-(X)		162.75"	018
	86200(XX).024-(X)		165.75"	024
86196(XX).168-(X)	86200(XX).168-(X)	86202(XX).168-(X)	168"	168
	86200(XX).025-(X)		171.75"	025
8196(XX).174-(X)	86200(XX).174-(X)	86202(XX).174-(X)	174"	174
	86200(XX).177-(X)		177"	177
86196(XX).180-(X)	86200(XX).180-(X)	86202(XX).180-(X)	180"	180
	86200(XX).026-(X)		181.25"	026
8196(XX).186-(X)	86200(XX).186-(X)	86202(XX).186-(X)	186"	186
8196(XX).192-(X)	86200(XX).192-(X)	86202(XX).192-(X)	192"	192
86196(XX).198-(X)	86200(XX).198-(X)	86202(XX).198-(X)	198"	198

FABRIC ROLLER TUBE ASSEMBLY

# Model 86196 And 86202



# Model 86200



**86196, 86200 & 86202 Elite FC Slide Topper Parts List**

Index #	Description	86196(XX).(XXX)-(X)	86200(XX).(XXX)-(X)	86202(XX).(XXX)-(X)
1	Torsion Asm., RH	*3308338.007(X)	*3308338.007(X)	*3308338.007(X)
2	Torsion Asm., LH	*3308337.009(X)	*3308337.009(X)	*3308337.009(X)
3	Roller Tube 2-1/2" dia. 66" -72"	3108704.176	3108704.176	3108704.176
	Roller Tube 2-1/2" dia. 78"-108"	3108704.184	3108704.184	3108704.184
	Roller Tube 2-1/2" dia. 114" -144"	3108704.192	3108704.192	3108704.192
	Roller Tube 2-1/2" dia. 150" -192"	3108703.632	3108703.632	3108703.632
	Roller Tube 2-1/2" dia. 198"	3108708.656	3108708.656	3108708.656
4	*Kit, Cover Asm. (Includes: A2 & 5)	***3308340.(XXX)(X)	***3308340.(XXX)(X)	***3308340.(XXX)(X)
5	Brush 66"-96"	3308341.096	3308341.096	3308341.096
	97"-132"	3308341.132	3308341.132	3308341.132
	133"-168"	3308341.168	3308341.168	3308341.168
	169"-198"	3308341.198	3308341.198	3308341.198
6	Fabric, Vinyl, See Note 1	***R3106802(XX).(XXX)	***R3106802(XX).(XXX)	***R3106802(XX).(XXX)
	Fabric, Acrylic, See Note 2	***R3308330(XX).(XXX)	***R3308330(XX).(XXX)	***R3308330(XX).(XXX)
7	Kit, Center Support	*3308241.003(X)	*3308241.003(X)	*3308241.003(X)
A1	Screw, #10-12 x 1.0 PHCR (2 req.)	3105445.013	3105445.013	3105445.013
A2	Screw, 1/4"-20 x 0.63" PH (4 req.)	3308450.000	3308450.000	3308450.000
A3	Screw, #10-32 x .50" Quadrex (2 req.)	3307879.002	3307879.002	3307879.002
8	Pop Rivet (6 req.)	308171.022	308171.022	308171.022
10	Screw, #10-32 x .50" Quadrex (2 req.)	3307879.002	3307879.002	3307879.002
11	**Hex Extension Bar, 15" (2 req.)	See # 17	See #17	See #17
12	Wall Bracket 45° (2 req.)	*3106911.005(X)	*3106911.005(X)	See # 17
13	Kit, Hardware	_____	3106806.049	_____
B1	Screw, #10-12 x 1.0" PHCR (10 req.)	_____	3105445.013	_____
B2	Screw, #6-20 x .44" HHW (2 req.)	_____	310359.012	_____
B3	Screw, #10-16 x .63" PHCR (4 req.)	_____	3103855.023	_____
14	Awning Rail, (not shown) 66"-72"	*3106774.064-(X)	_____	_____
	78"-84"	*3106774.072-(X)	_____	_____
	90"-96"	*3106774.080-(X)	_____	_____
	102"-108"	*3106774.098-(X)	_____	_____
	114"-120"	*3106774.106-(X)	_____	_____
	126"-132"	*3106774.114-(X)	_____	_____
	138"-144"	*3106774.122-(X)	_____	_____
	150"-156"	*3106774.130-(X)	_____	_____
	162"-168"	*3106774.148-(X)	_____	_____
	174"-180"	*3106774.155-(X)	_____	_____
	186"-192"	*3106774.163-(X)	_____	_____
	Customer Option (Req.) Kit, Wall Bracket	*3106992.062(X)	_____	*3106992.062(X)
	(See Index # 17 below)	*3106992.162(X)	_____	*3106992.162(X)
		*3106992.070(X)	_____	*3106992.070(X)
		*3106992.170(X)	_____	*3106992.170(X)
	Customer Option (Not Req.)	_____	_____	_____
15	<b>Kit, Center Support Bracket Spacer</b>	<b>3308393.002</b>	<b>3308393.002</b>	<b>3308393.002</b>
16	<b>Kit, Wall Mounting Bracket Spacer</b>	<b>3107940.003</b>	<b>3107940.003</b>	<b>3107940.003</b>
17	<b>Kit, Wall Bracket, 45°, 15.38" Extension</b>	**3106992.062(X)	**3106992.062(X)	_____
	<b>Kit, Wall Bracket, 45°, 18.63" Extension</b>	**3106992.162(X)	**3106992.162(X)	_____
	<b>Kit, Wall Bracket, 90°, 15.38" Extension</b>	_____	_____	**3106992.070(X)
	<b>Kit, Wall Bracket, 90°, 18.63 Extension</b>	_____	_____	**3106992.170(X)

\*When ordering parts identified with (\*) replace (X) with:

- B for Polar White
- H for Mende Polar White
- R for Champagne
- S for Satin
- U for Black
- V for Gold

\*\*For 86(XXX)(XX).060-(X) Use Hex Extension Bar, 18" 3106992.162(X) or 3106992.170(X)

\*\*\*When ordering fabric & cover replace (XXX) with suffix number from length chart on page 2.

Replace (XX) with color code from color chart on page 2.

**Note 1:** R3106802(XX).(XXX) Vinyl Fabric, See Color Code Chart.

**Note 2:** R3308330(XX).(XXX) Acrylic Fabric, See Color Code Chart.