

R&D PROTO / DATE:

QUOTE / DATE:

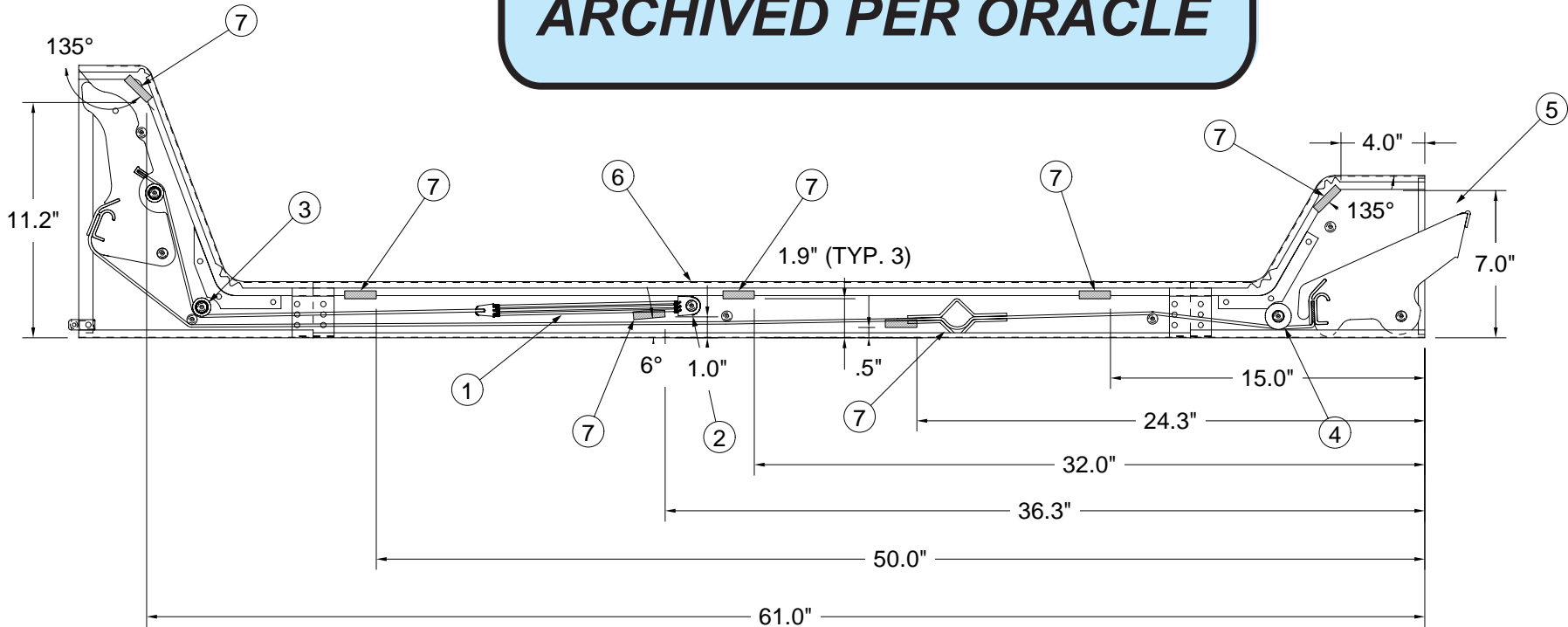
PRE-PRODUCTION / DATE:

REL. FOR PRODUCTION / DATE:

NOTES:

- 1. SEE DN14220 & DN14221 FOR FELT LOCATION TEMPLATES.

ARCHIVED PER ORACLE



| | | | |
|---|---|---------|--|
| 7 | 7 | DN14067 | .025" x .375" x 1.5 FELT STRIP W/ ADH. |
| 6 | 1 | DN14616 | 64.25" BLK LFT MAIN ROOM CVR ASSY |
| 5 | 1 | DN14610 | LATCH ARM /COMPENSATOR LEFT ASSY |
| 4 | 1 | DN13527 | 1.25" OD x .5" ID STAINLESS ROLLER |
| 3 | 2 | DN13259 | .875" OD x .5" ID BRASS ROLLER |
| 2 | 1 | DN13053 | LOWER RETURN SPRING CLIP |
| 1 | 3 | DN13052 | 8.5" RETURN SPRING |

| REV | DESCRIPTION | ECR# | DATE | BY |
|-----|----------------------------|--------|----------|-----|
| A | RERELEASED FOR PRODUCTION. | 01-452 | 08-06-01 | WKS |
| | | | | |
| | | | | |



**DEWALD
MANUFACTURING
INCORPORATED**

1217 E. SEVENTH STREET * MISHAWAKA, INDIANA 46544-0703
 FAX: (219) 255-5029 * 1-888-DEWALDS (339-2537) * PH: (219) 254-5265

This document and the information contained herein is the sole property of DEWALD MANUFACTURING, INC. (DMI). It contains proprietary information which is confidential. Any use or reproduction of this drawing without authorization from DMI may warrant legal action against user.

TOLERANCES:
 .0000" +.0005"
 .000" ±.010"
 .00" ±.03"
 .0" ±.06"
 ANGULAR ± 1°
 DATE: 07-23-01

| | | | |
|------------------|----------------|---|---|
| DWG. TITLE | | 64.25" BLK LFT MAIN ROOM T LOCK COVER ASSY | |
| PRODUCT TITLE: | | MOM Wak (MAIN ROOM TRAVEL LOCK) | |
| DRAWN BY: | WKS | APPR. BY: | |
| SCALE: | 1 1/2" = 1'-0" | | |
| RAW MAT'L: | | ASSEMBLY | |
| SHEET NO: | 1 | OF: | 1 |
| PART / ASS'Y NO: | | DN14618 | |