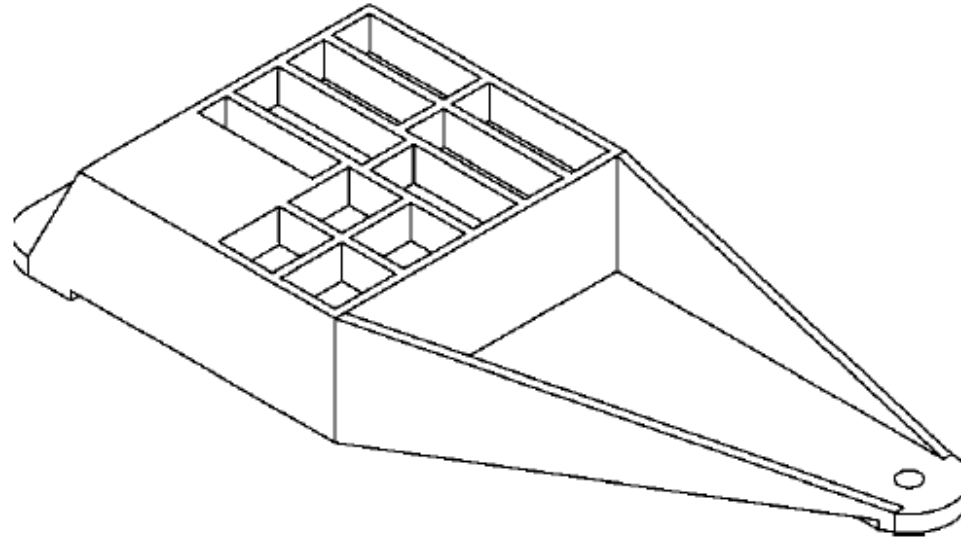


909510000 Control Unit



CONTROL UNIT REPLACEMENT

For steps that already have the IMGL/909510000 Control, the 909510000 Control Unit can be replaced with the same part number but steps with any other Control Unit require a full replacement kit as listed above. The 909510000 Control Unit will not work correctly with any motor, gearbox configurations other than the IMGL.