



TIP SHEET

Kwikee Step Identification and Replacement Parts Guide

© Copyright Power Gear Issued: February 2014

#82-ST0501, Rev. 0B

NOTE

This sheet is to assist in identifying the Kwikee step model # and part #, for steps built after late 2005 to present. It will also assist in determining replacement part numbers for each step component.

Table of Contents

Page 1-2: Introduction & Step ID Instructions

Page 3: Single Step Parts

Page 4-5: Double Step Parts

Page 6: Triple Step Parts

Page 6: IMGL Control Box

Page 7: IMGL Motors and Gearboxes

Page 8: Additional Reference Documents

STANDARD STEP IDENTIFICATION

To identify the standard step part number or series number, look for the Kwikee label under the step on the mounting surface that attaches to the coach. The label will show the part number of the step.

You may have to have the step extended to see the label. Below are a couple examples of different labels used on the steps.

EXAMPLE 1:



How to read the part number code:

(This only pertains to units built after February 1999)

SAMPLE: 90XX0Y000

XX = 2 Digit Series No.
Y = Time frame

If this 6th digit is a "6 thru 8", then that indicates it was built between early 1999, and late 2005 to early 2006.

CONTINUED ON PAGE 2

- This label shows the part #902806025.
- The 3rd and 4th digits of the part number indicate this is a 28 series step.
- The 6th digit indicates this step was built between 1999 and 2005.

We can confirm this time frame by the build date of October, 17, 2003, shown in the upper right corner of the label.

- This step would **not** have originally had the IMGL components installed.

NOTE: The serial number cannot be used for identification.

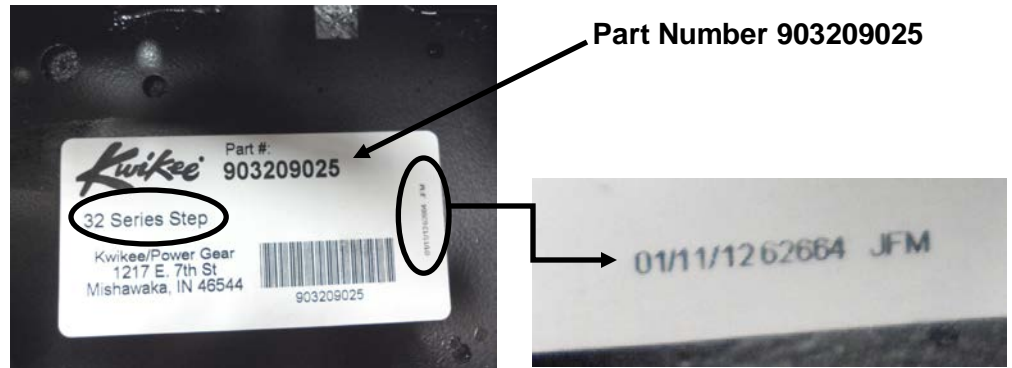


If this is a "9", then it indicates it is built after late 2005, and has the Integrated Motor Gear Linkage (IMGL) style motor, gearbox and control.

The IMGL control has a "triangular" shape at the end of the housing for mounting that can also assist in identification (see photo below).



EXAMPLE 2:



- This label shows the part #903209025.
- The 3rd and 4th digits of the part number indicate this is a 32 series step.
- It also shows the "32 Series Step" (circled) on the label.
- The 6th digit indicates this step was built after late 2005 and equipped with the IMGL parts.

We can confirm this time frame by the build date of 1/11/12 printed on the side of the label (see enlarged picture).

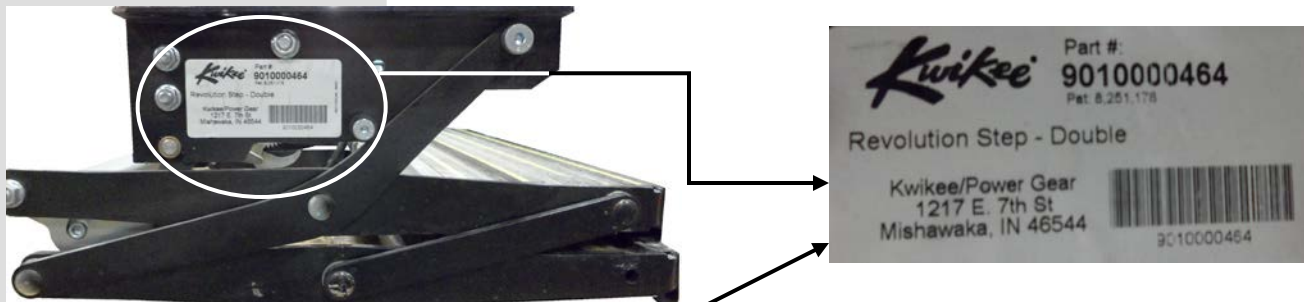
- This step part number will have the IMGL components installed.

SPECIAL STEP IDENTIFICATION

This information pertains to the Revolution and Platinum Series Steps.

- The Revolution Series and Platinum Series steps do not have a series part number as described above.
- These steps will have a part number only on the Kwikkee label.
- The label for the Revolution step will be located on the side of the step as shown below. The step is identified with this part number.
- The label for the Platinum (camless) step will be located under the step as described in the previous section.

EXAMPLE 3:



Part Number 9010000464 Revolution Step

Part Number 9010000220 Platinum Step



KWIKEE IMGL REPLACEMENT PARTS BY STEP SERIES OR PART NUMBER

SINGLE STEPS

| SERIES OF STEP | PART NUMBER OF STEP | FRAME ONLY PART NUMBER | GEARBOX PART NUMBER | MOTOR PART NUMBER | STEP CONTROL BOX PART NUMBER |
|----------------|--|------------------------|---------------------|-------------------|---|
| 26 | 902609000 | NOT AVAILABLE | 1101427 | 1101428 | 909510000 |
| | 902609025 | | | | |
| 28 | 902809000 | 908028000 | 1101426 | 1101428 | 909510000 |
| | 902809025 | | | | |
| 29 | THIS STEP IS OBSOLETE AND IS REPLACED BY A 39 SERIES STEP (903909025). THERE ARE NO PARTS AVAILABLE. | | | | |
| 30 | 903009000 | NOT AVAILABLE | 1101425 | 1101428 | 909510000 |
| 31 | 903109000 | NOT AVAILABLE | 1101426 | 1101428 | 909510000 |
| | 903109025 | | | | |
| 33 | 903309000 | NOT AVAILABLE | 1101425 | 1101428 | 909510000 |
| | 903309025 | | | | |
| 35 | 903509000 | NOT AVAILABLE | 1101425 | 1101428 | 909510000 |
| | 903509025 | | | | |
| 36 | 903609000 | 908036000 | 1101425 | 1101428 | 909510000 |
| | 903609025 | | | | |
| 37 | 903709025 | NOT AVAILABLE | 1101426 | 1101428 | 909510000 |
| 38 | 903809000 | NOT AVAILABLE | 1101425 | 1101428 | 909510000 |
| | 903809025 | | | | |
| 39 | 903909000 | NOT AVAILABLE | 1101426 | 1101428 | 909510000 |
| | 903909025 | | | | |
| REVOLUTION | 9010000465 | 9010000681 | NOT AVAILABLE | 1010002326 | 1510000172 HAS MOTOR PLUG 1510000140 HARD WIRED TO CONTROL |

KWIKEE IMGL REPLACEMENT PARTS BY STEP SERIES OR PART NUMBER

DOUBLE STEPS

| SERIES OF STEP | PART NUMBER OF STEP | FRAME ONLY PART NUMBER | GEARBOX PART NUMBER | MOTOR PART NUMBER | STEP CONTROL PART NUMBER |
|----------------|--|------------------------|---------------------|-------------------|--------------------------|
| 22 | 902209000 | NOT AVAILABLE | 1101425 | 1101428 | 909510000 |
| | 902209025 | | | | |
| 27 | THIS STEP IS OBSOLETE AND IS REPLACED BY A 40 SERIES STEP (904009025). THERE ARE NO PARTS AVAILABLE. | | | | |
| 32 | 903209000 | 908032000 | 1101425 | 1101428 | 909510000 |
| | 903209025 | | | | |
| | 903209100 | | | | |
| | 903211000 | | | | |
| 34 | 903409000 | 908034000 | 1101425 | 1101428 | 909510000 |
| | 903409025 | | | | |
| | 903409100 | | | | |
| 40 | 904009000 | NOT AVAILABLE | 1101425 | 1101428 | 909510000 |
| | 904009025 | | | | |
| 41 | 904100900 | NOT AVAILABLE | 1101425 | 1101428 | 909510000 |
| | 904109000 | | | | |
| 42 | 904200900 | CONTACT POWER GEAR | NOT APPLICABLE | 1820124 | 909510000 |
| | 904209000 | | | | |
| | 904209003 | | | | |
| | 904209025 | | | | |
| | 904239000 | | | | |
| | 904209090 | | | | |
| | 904239090 | | | | |
| 47 | 904709000 | CONTACT POWER GEAR | NOT APPLICABLE | 1820124 | 909510000 |
| | 904709010 | | | | |

KWIKEE IMGL REPLACEMENT PARTS BY STEP SERIES OR PART NUMBER

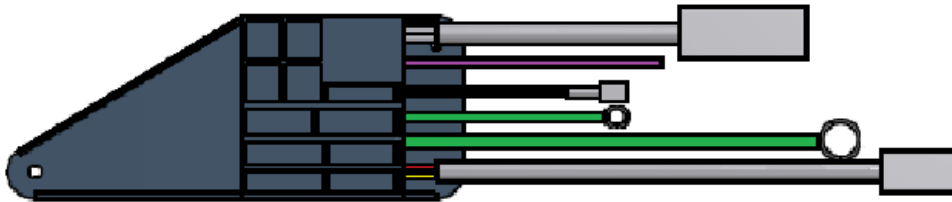
DOUBLE STEPS CONTINUED

| SERIES OF STEP | PART NUMBER OF STEP | FRAME ONLY PART NUMBER | GEARBOX PART NUMBER | MOTOR PART NUMBER | STEP CONTROL PART NUMBER |
|-----------------------|----------------------------|-------------------------------|----------------------------|--------------------------|---|
| 47 | 904711010 | CONTACT POWER GEAR | NOT APPLICABLE | 1820124 | 909510000 |
| | 904739000 | | | | |
| PLATINUM | 9010000220 | 1010000824 | 1101425 | 1101428 | 1510000140 |
| REVOLUTION | 9010000464 | 9010000675 | NOT APPLICABLE | 1010002326 | 1510000172 HAS MOTOR PLUG 1510000140 HARD WIRED TO CONTROL |

KWIKEE IMGL REPLACEMENT PARTS BY STEP SERIES OR PART NUMBER

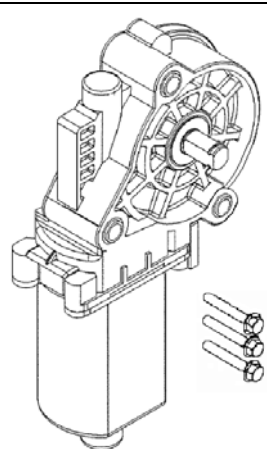
TRIPLE STEPS

| SERIES OF STEP | PART NUMBER OF STEP | FRAME ONLY PART NUMBER | GEARBOX PART NUMBER | MOTOR PART NUMBER | STEP CONTROL PART NUMBER |
|----------------|---------------------|------------------------|---------------------|-------------------|---|
| 23 | 902300900 | NOT AVAILABLE | 1101425 | 1101428 | 909510000 |
| | 902309000 | | | | |
| | 902309025 | | | | |
| 24 | 902400900 | 908024000 | NOT APPLICABLE | 1820124 | 1510000158 |
| | 902409000 | | | | |
| | 902409025 | | | | |
| 25 | 902509000 – 8” RISE | 908025000 – 8” RISE | NOT APPLICABLE | 1820124 | 1510000158 |
| | 902509007 – 7” RISE | NOT AVAILABLE | | | |
| | 902509025 – 8” RISE | 908025000 – 8” RISE | | | |
| | 902509100 | NOT AVAILABLE | | | |
| 44 | 904409000 | NOT AVAILABLE | NOT APPLICABLE | 1820124 | NOT AVAILABLE |
| REVOLUTION | 901000462 | 9010000696 | NOT APPLICABLE | 1010002326 | 1510000172 HAS MOTOR PLUG 1510000140 HARD WIRED TO CONTROL |



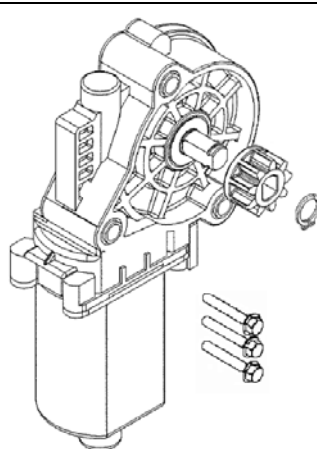
Control Box Part Number 909510000, 1510000158 and 1510000172.

The Control Box Part Number 1510000140 does not use the motor plug; it is hard wired from control box to the motor wire.



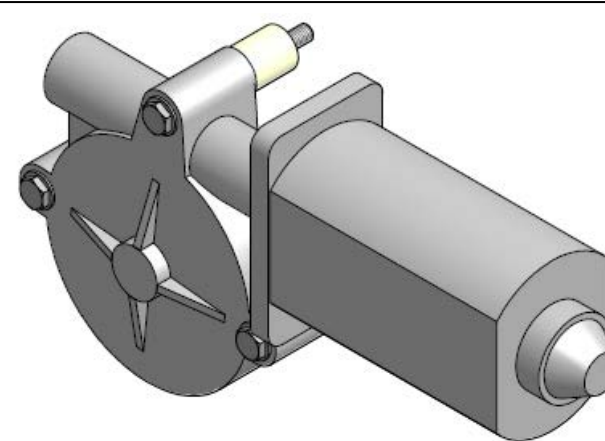
Motor Part Number 1101428.

Screws Not Available Separately.



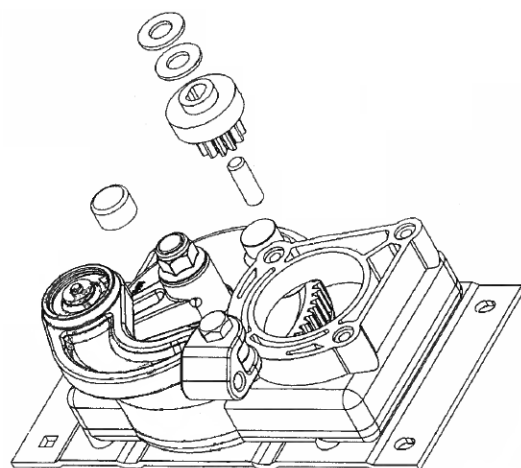
Motor Part Number 1820124.

Screws and Gear Not Available Separately.



Motor Kit Part Number 1010002326.

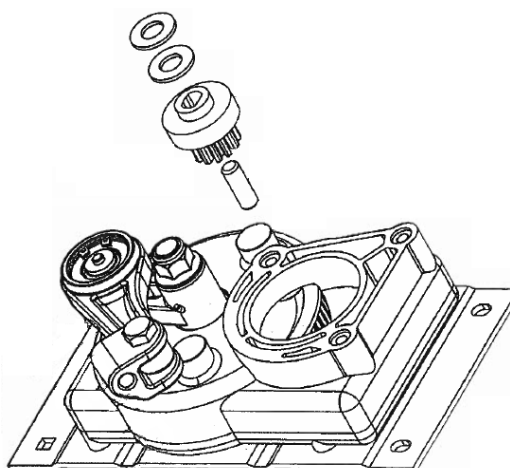
Screws and Gear Not Available Separately.



"A" STYLE LINKAGE ARM

Gearbox Part Number 1101425.

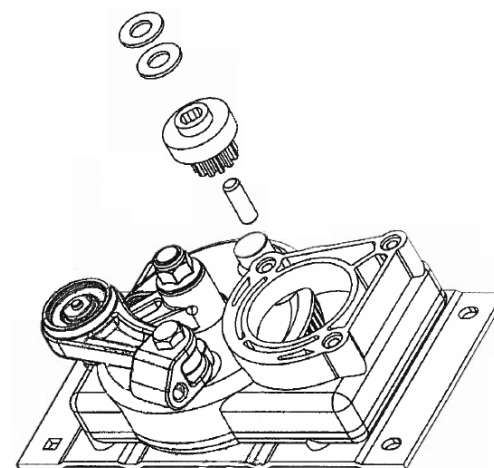
Gear and Washers Are Not Available Separately.



"B" STYLE LINKAGE ARM

Gearbox Part Number 1101426.

Gear and Washers Are Not Available Separately.



"C" STYLE LINKAGE ARM

Gearbox Part Number 1101427.

Gear and Washers Are Not Available Separately.

Additional Reference Publications Located At WWW.POWERGEARUS.COM

| DOCUMENT NUMBER | DESCRIPTION |
|------------------------|---|
| 842A | 42 SERIES OWNERS MANUAL |
| 888 | STEP OWNERS MANUAL |
| 3010001949 | PLATINUM SERIES OWNERS MANUAL |
| 3010002262 | REVOLUTION SERIES OWNERS MANUAL |
| 82-ST0500 | KWIKEE STEP CONTROL TESTING PROCEDURES FOR CONTROL PART NUMBERS 909510000, 1510000140, 1510000158, 1510000172 |
| 82-ST0502 | STEP MOTOR REPLACEMENT INSTRUCTIONS FOR REVOLUTION SERIES STEPS |
| 1420994 | INSTRUCTIONS FOR USING THE KWIK TEST TESTER PART NUMBER 909518000 |
| 1421330 | DOOR SWITCH INSTALLATION AND IDENTIFICATION GUIDE |
| 1420215 | KWIKEE STEP REPAIR KIT IDENTIFICATION AND INSTRUCTIONS |