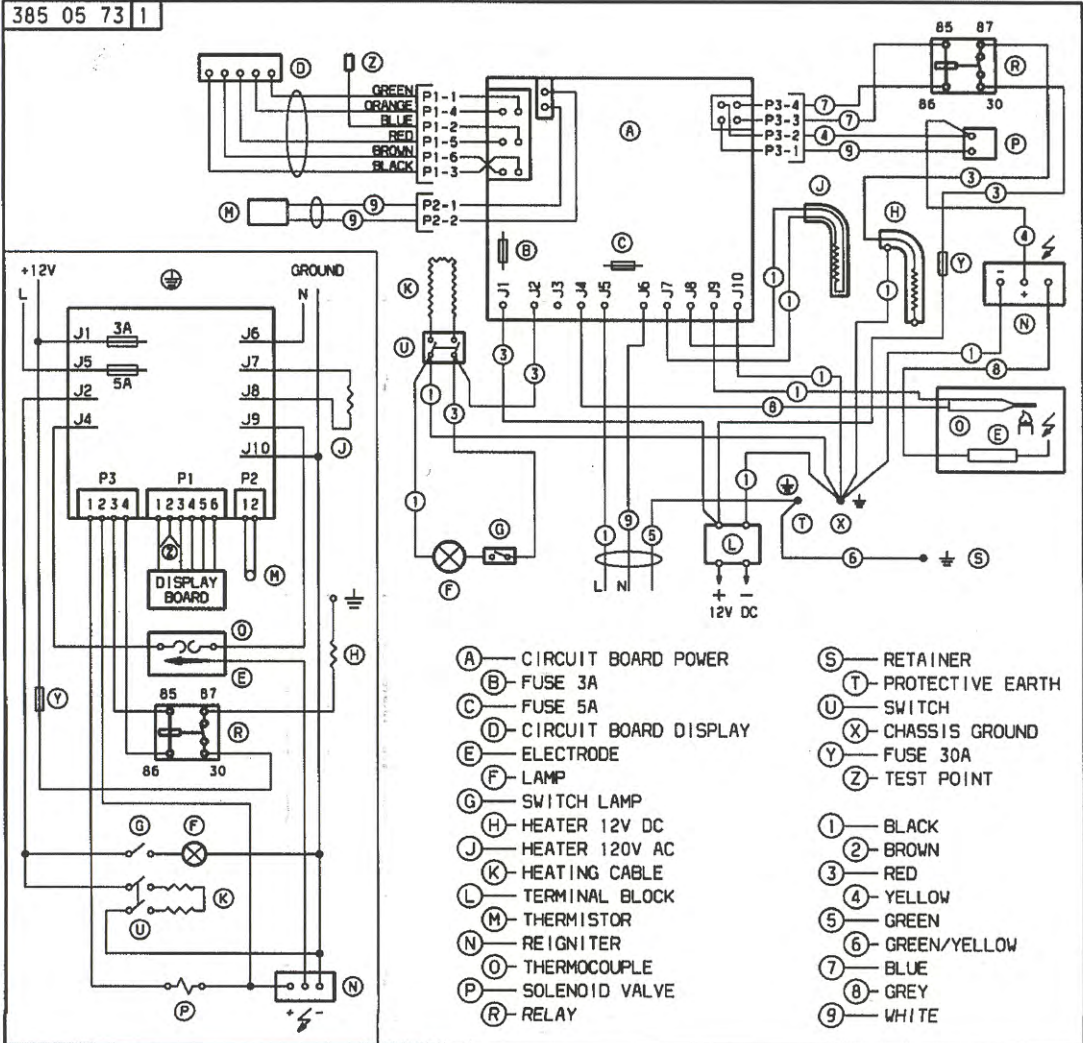


# WIRING DIAGRAM

385 05 73 | 1



N38505731