



A Division of Dura Automotive Systems

1120 North Main Street • Elkhart, IN 46514

PHONE: 574•264•2131 FAX: 574•262•2550

INTERNET: http://www.atwoodmobile.com

LITERATURE NUMBER MPD 53158

BI-FOLD COVER

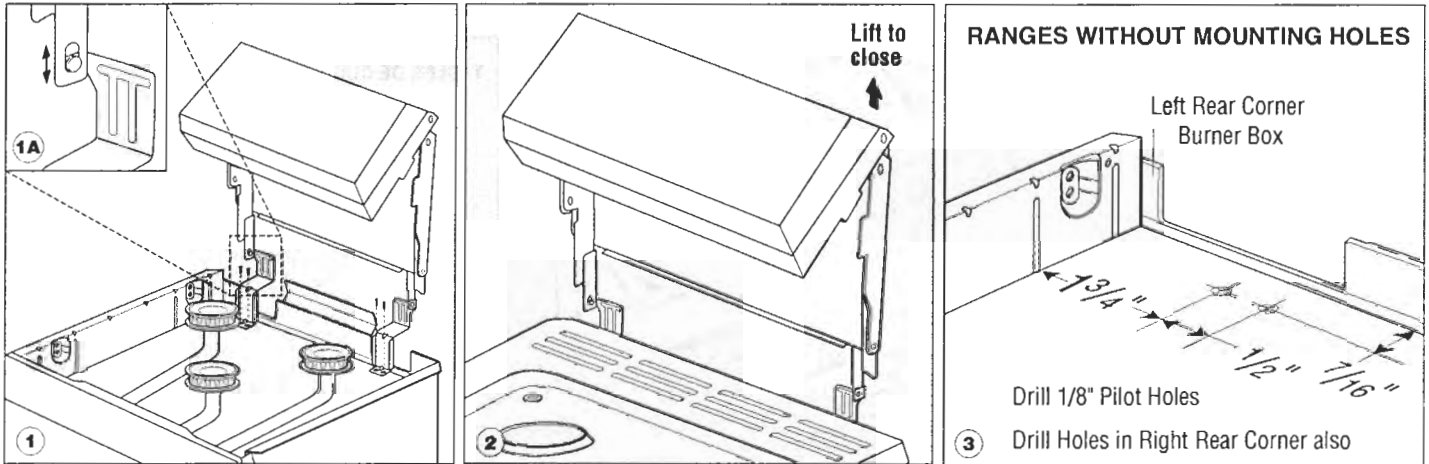
WEDGEWOOD VISION™ - RV & CV MODELS

ENGLISH, FRANÇAIS (et Canada)

•Installation •Operation

Effective 10/22/04

For complete Wedgewood Vision™ range and slide-in instructions consult MPD 56282.



FOR YOUR SAFETY READ ALL INSTRUCTIONS BEFORE OPERATING

Installer: Provide these instructions to the consumer.
Consumer: Keep documents for future reference.

INSTALLATION

1. A Phillips screw driver is required for installation.
2. Remove the top and grate from the range.
3. Fold the cover together, then install the cover brackets to the burner box with the screws provided FIG 1. Refer to FIG 3 if there are no mounting holes in the burner box.
4. Replace the top and grate.

OPERATION

WARNING **PERSONAL INJURY**

- When surface burners are in use, cover must be in the open, locked position.
- Never use cooking appliances while RV is in motion.

CAUTION **PRODUCT DAMAGE**

- Never close cover while the burners are in use.
- Never use the cover as a griddle.
- Never use cooking appliance while RV is moving.
- Cover must always be closed when the vehicle is in motion.
- This cover is designed for use only with Atwood/Wedgewood Vision brand RV range and slide-ins. Do not use with other brands.
- Failure to unlock the cover before closing may result in product damage.

1. Before cooking on range top cover must be locked in its fully pivoted position. This will prevent the cover from accidentally falling forward during cooking FIG 2.
2. To lock the bi-fold cover, push cover up and fully pivot it away from you to the back of the range. The cover is designed to lock in place at the hinges FIG 2.
3. To determine if proper locking has been accomplished, gently pull the cover toward you. If it is locked, you will not be able to pivot the cover down.
4. After you determine that the cover is locked, again make sure that it is completely pivoted away from you and to the back of the range.
5. The oven may be used with the cover is closed.
6. TO CLOSE -
BI-FOLD COVER: Lift the cover until the hinges clear the metal bracket, then lower the cover into the closed position FIG 2, note B.