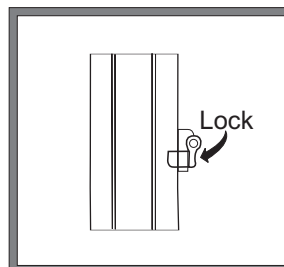
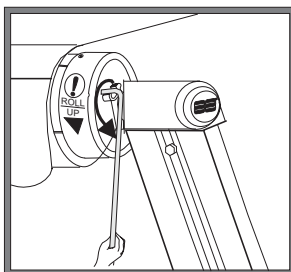
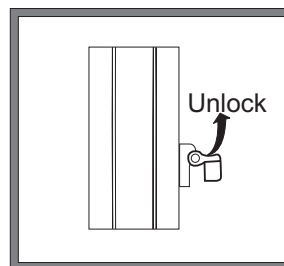
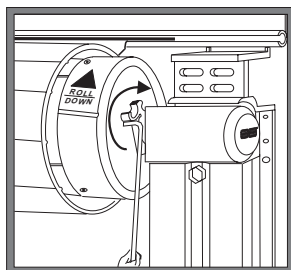


**Two Step**<sup>™</sup>  
by Dometic



**USA**  
SERVICE OFFICE  
Dometic Corporation  
2320 Industrial Parkway  
Elkhart, IN 46516  
574-294-2511

**CANADA**  
Dometic Corporation  
46 Zatonski, Unit 3  
Brantford, ON N3T 5L8  
CANADA  
519-720-9578

For Service Center  
Assistance Call:  
800-544-4881

**⚠ WARNING**

This manual must be read and understood before installation, adjustment, service, or maintenance is performed. This unit must be installed by a qualified service technician. Modification of this product can be extremely hazardous and could result in personal injury or property damage.

**⚠ AVERTISSEMENT**

Lire et comprendre ce manuel avant de procéder à l'installation, à des réglages, de l'entretien ou des réparations. L'installation de cet appareil doit être effectuée par un réparateur qualifié. Toute modification de cet appareil peut être extrêmement dangereuse et entraîner des blessures ou dommages matériels.

# USER'S GUIDE

# Patio Awnings

**REVISION**  
Form No. 3309865.016 6/05  
(Replaces 3309865.008)  
©2005 Dometic Corporation  
LaGrange, IN 46761

**Important: These Instructions  
must stay with unit.  
Owner read carefully.**

## SAFETY INSTRUCTIONS

This manual has safety information and instructions to help users eliminate or reduce the risk of accidents and injuries.

## RECOGNIZE SAFETY INFORMATION



This is the safety-alert symbol. When you see this symbol in this manual, be alert to the potential for personal injury.

Follow recommended precautions and safe operating instructions.

## UNDERSTAND SIGNAL WORDS

A signal word, **WARNING OR CAUTION** is used with the safety-alert symbol. They give the level of risk for potential injury.

**WARNING** indicates a potentially hazardous situation which, if not avoided, could result in death or serious injury.

**CAUTION** indicates a potentially hazardous situation which, if not avoided may result in minor or moderate injury.

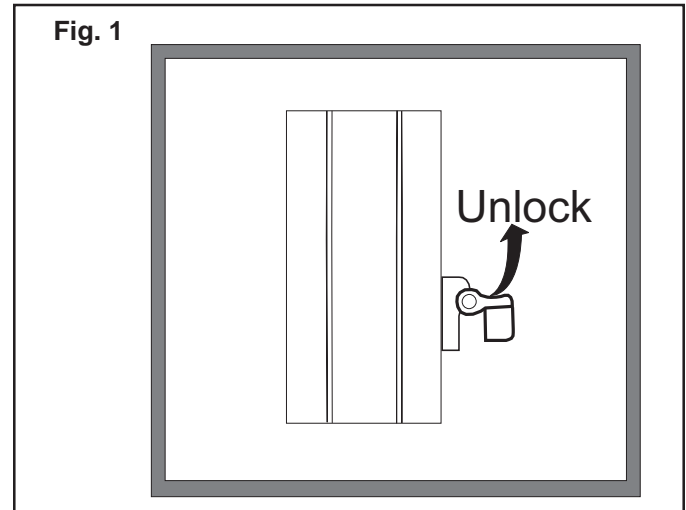
**CAUTION** used without the safety alert symbol indicates, a potentially hazardous situation which, if not avoided may result in property damage.

Read and follow all safety information and instructions.

## 1. To Open Awning:

### A. Unlock Awning

1. Unlock the travel lock located midway up each arm assembly. Lift up on the travel lock assembly to unlock. See Figure 1.



2. Use the pull rod provided to rotate the Safe-T-Lock™ Lever up to the "ROLL DOWN" position. See Figure 2.

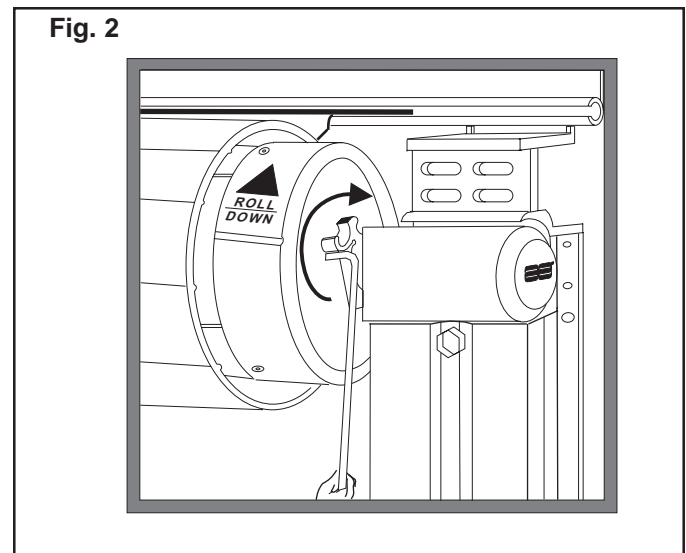
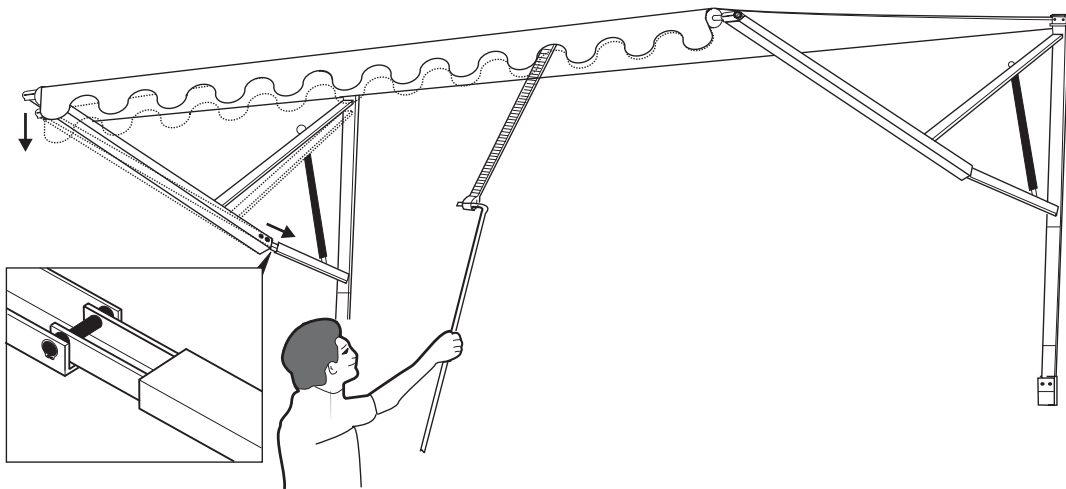


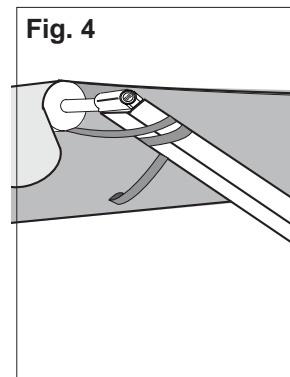
Fig. 3



## 2. Extend Awning

- A. Hook the pull rod into the loop of the pull strap and pull the awning out. See FIG. 3.
- B. Slide the pull strap to the right end of the roller tube. See Figure 4.

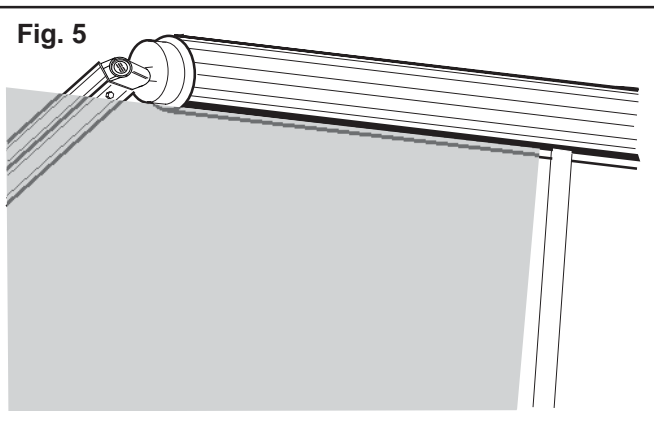
Fig. 4



## 3. Optional Patio O'Shade 93001(X).(X)(XX)

- A. You will find the A & E Patio O'Shade very helpful when awning side of RV is facing west in the late afternoon. It will provide great enjoyment when the sun is setting.
- B. Patio O'Shade slides into the utility slot in the roller tube on left end. See FIG. 5. Place in desired position.

Fig. 5



## 4. Rear Arm

- A. Your A & E awning is designed to shed water if left out in the rain. The rear arm will automatically decrease the awning height approximately 9 inches when it is raining. When there is no longer the need to shed water it will return to the normal height. See FIG. 3.

### **! CAUTION**

The A&E Two Step awning is extremely durable and can be operated during moderate rain and wind conditions. However, when periods of heavy rain and/or wind is expected the awning should be closed and in the locked position. Damage caused by wind and rain is not covered by warranty.

## 5. To Close Awning:

### A. Return Awning to Travel Position

#### **CAUTION**

**Pinch Point Hazard.** When awning is closed, bottom arm assemblies will fold down and against back channel. To avoid personal injury and/or property damage, keep pinch points clear of objects and people.

Fig. 6

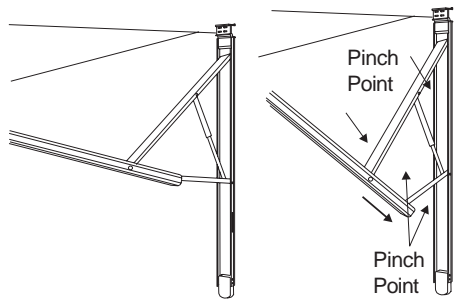
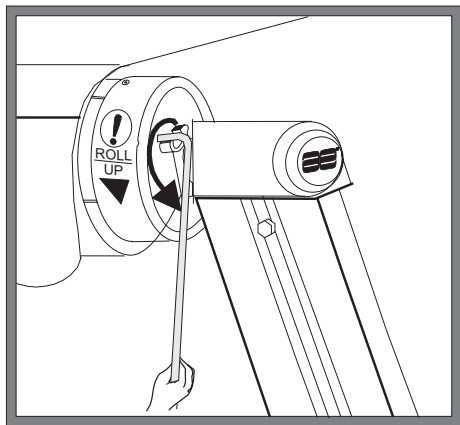


Fig. 7



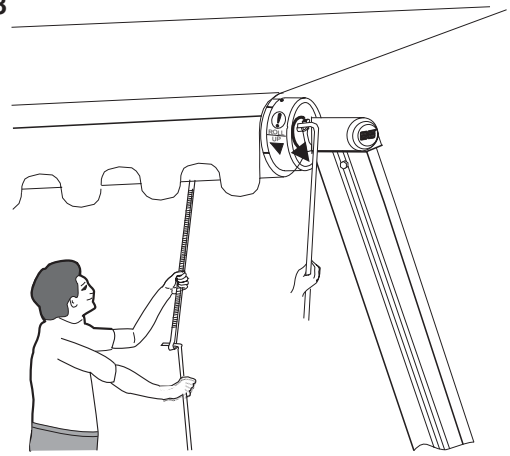
1. Remove sun screen if installed. In one hand gently pull on the pull strap while using the pull rod to flip the Safe-T-Lock™ Lever down into the "ROLL UP" position. See FIG. 7.

#### **CAUTION**

**Have a firm grip on the pull strap before moving the Safe-T-Lock™ Lever to the "ROLL UP" position. Do not allow the awning to close uncontrolled. Damage to the awning and/or RV may occur.**

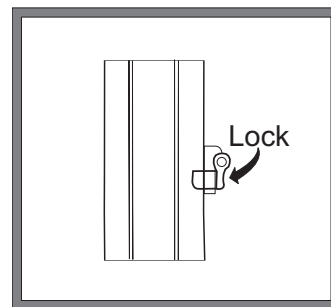
2. Before the awning begins to roll up, insert end of pull rod into the pull strap loop and let the awning roll in, controlling the speed with the rod in hand. See FIG. 8.

Fig. 8



### B. Lock Awning For Travel

FIG. 9



1. Secure each arm assembly by locking the travel lock. Push down on the travel lock assembly to secure. See FIG. 9. The awning is now completely closed and ready for travel.

#### **A&E TWO STEP AWNING HELPFUL HINTS:**

- Whenever the awning is wet while rolled up, as soon as conditions allow, roll it out and let it dry before rolling it up again. This will help prevent the formation of mildew and add greatly to the life of the awning.
- Mildew does not form on the fabric itself, but on the accumulated dust, dirt and grime. Periodically clean vinyl or woven acrylic fabric using a mixture of 1/4 cup of dish soap and 1/4 cup of bleach mixed with 5 gallons of warm water. Liberally slosh the mixture on the top of the fabric and roll the awning up for 5 minutes. This will apply the mixture to the bottom as well. Roll it back out and hose off with fresh water. Repeat if necessary. Allow to dry before rolling up.
- Always make sure the awning is fully extended before opening the entry door.

#### **WHEN TO GET MORE HELP:**

This User's Guide is intended to provide practical instruction for the sequential operation of the A&E Two Step Patio Awning. If malfunctions occur that cannot be corrected by reviewing this Guide, contact a Dometic Service Center or a qualified service technician.