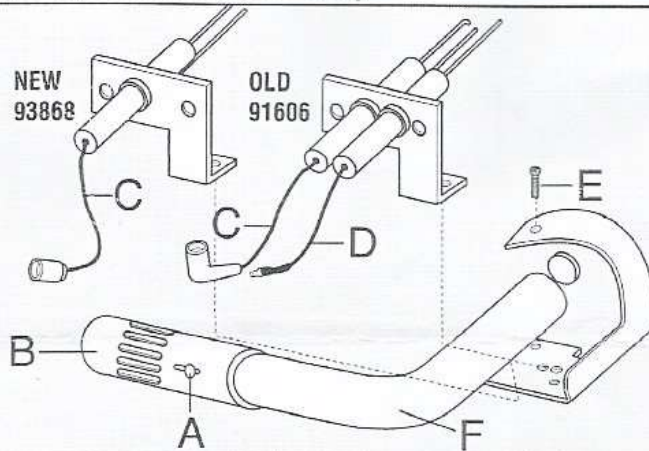


LITERATURE NUMBER MPD 91608MC

ATWOOD AFTER-MARKET SPARK PROBE REPLACEMENT

Effective 11/19/07

Use on Spark Ignition Models Only



For complete water heater instructions consult water heater instruction manual.

⚠ WARNING

FIRE AND/OR EXPLOSION

- Use with LP gas only.
- Installation in Recreation Vehicles only. RV's are recreation vehicles designed as temporary living quarters for recreation, camping, or travel use having their own power or towed by another vehicle.

⚠ CAUTION

ELECTRICAL DAMAGE

- Label all wires before disconnecting when servicing.
- Verify proper operation after servicing.

REMOVAL PROCEDURE

1. Turn water heater switch to OFF position.
2. Disconnect red wire from left hand ECO terminal.
3. Remove air shutter screw-A and slide air shutter-B to the far right.
4. Disconnect high voltage lead-C from circuit board and sensor lead-D if applicable.
5. Remove screw-E that holds main burner-F to flue tube
6. Main burner-F and spark probe assembly can now be removed from water heater.
7. Turn main burner-F upside down and remove screw and nut. Then remove spark probe assembly from burner.

continued backside