



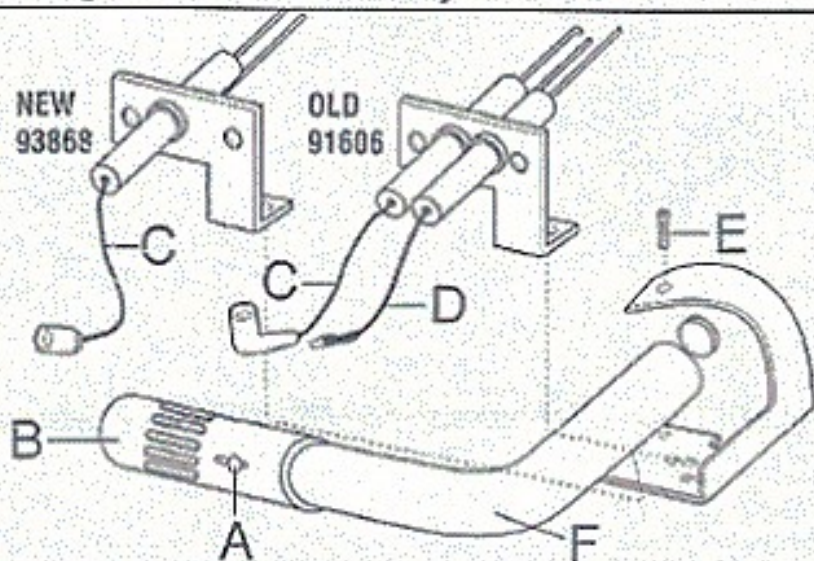
1120 North Main Street • Elkhart, IN 46514
PHONE: 574-264-2131 FAX: 574-206-9713
INTERNET: <http://www.atwoodmobile.com>

LITERATURE NUMBER MPD 91608

SPARK PROBE REPLACEMENT

Effective 11/19/07

Use on Spark Ignition Models Only



For complete water heater instructions consult water heater instruction manual.

INSTALLATION PROCEDURE

1. Locate spark probe assembly on burner tube (as original one was), insert and tighten screw and nut.

Note: There should be a 1/8" gap between bent probe and center probe. If adjustments are needed, BEND ONLY THE GROUND PROBE NOT ATTACHED TO PORCELAIN.

2. Insert main burner assembly into water heater and secure with screw-E (if applicable).
3. Connect high voltage wire-C to the front of circuit board and sensor lead-D (if applicable).

4. Depending on the circuit board the heater has, connect the flame sensing wire-D in one of the following ways.

- a. connect to white wire from circuit board, or
- b. connect to black lead from circuit board

Wrap connection with electrical tape.

5. Slide air shutter-B to the left and insert screw-A.
6. When the main flame is burning, adjust the main burner flame by sliding main burner air shutter to right until some yellow appears in the main flame. Then move the air shutter to the left until flame is blue with trace of yellow. Tighten screw.