



**Atwood Mobile Products LLC**  
 1120 North Main Street • Elkhart, IN 46514  
**PHONE:** 574•264•2131 **FAX:** 574•262•2550  
**INTERNET:** <http://www.atwoodmobile.com>



**MPD 32072**

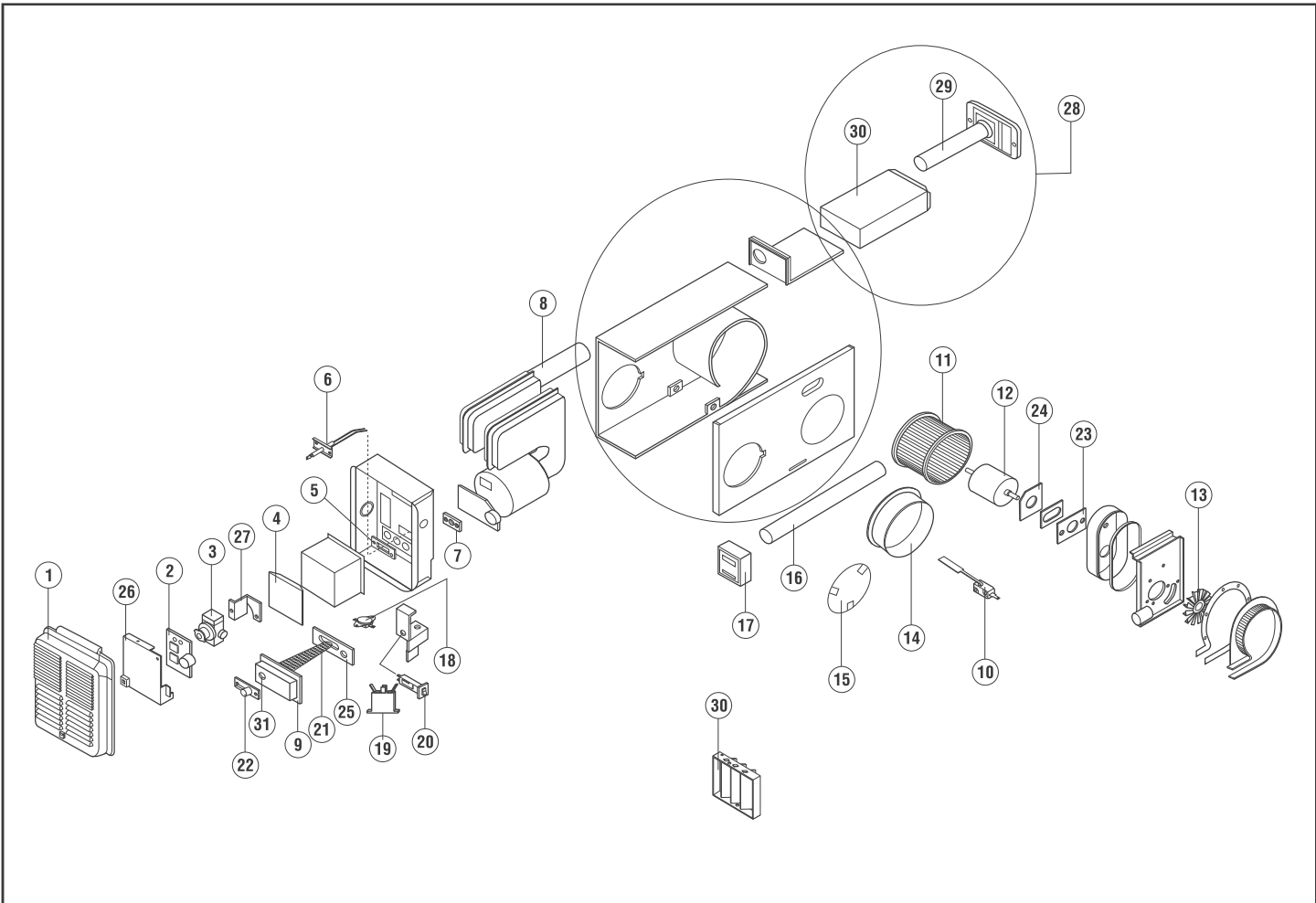
**hydro flame™**

**7900-II / 8000-II**  
**Series Furnace**

**Technical Installation Manual**

**ENGLISH, FRANCAIS (et Canada)**

**•Installation**  
 Effective 5/19/06



Item #	Description of Parts		
1	Front Door	10	Sail Switch (80-II)
2	Electronic Ignition Board	11	Blower Wheel (79-II)
3	Valve	11	Blower Wheel (80-II)
4	Front Discharge Cover Plate	12	Motor (79-II)
5	Electrode Cover Plate	12	Motor (80-II)
6	Electrode	13	Combustion Wheel
7	Electrode Gasket	14	Duct Adapter
8	Heat Exchanger	15	Duct Cover Plate
9	Burner Plate Gasket	16	Air Hose
10	Sail Switch (79-II)	17	Thermostat -SPECIFY COLOR
		18	Limit Switch (L-170)
		19	Relay
		20	On/Off Circuit Breaker
		21	Burner Head
		22	Manifold
		23	Motor Gasket
		24	Motor Spacer
		25	Small Burner Air Baffle - SPECIFY RATE
		25	Large Burner Air Baffle - SPECIFY RATE
		26	Electronic Ignition Mounting Plate
		27	Valve Bracket
		28	Vent Kit Specify Length
		29	Exhaust Tube Assembly - SPECIFY LENGTH & MATERIAL
		30	Air Box Assembly - SPECIFY LENGTH
		31	Orifice - SPECIFY RATE