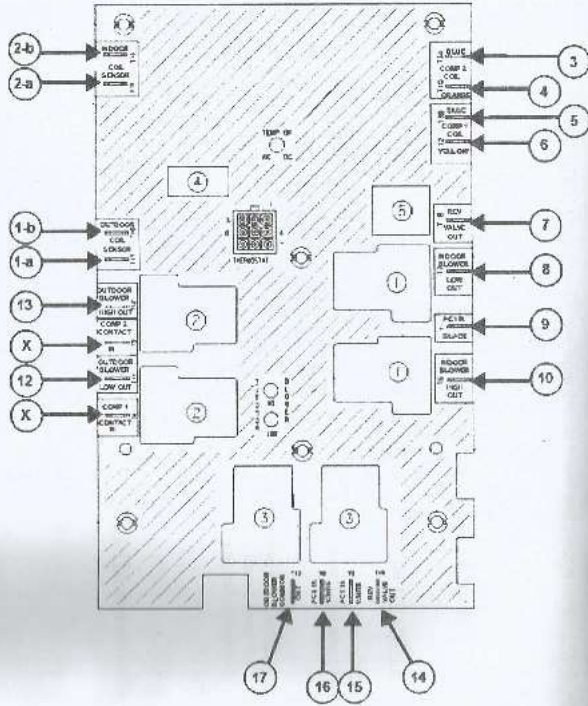


6535(A or B)
(old board)



6535C320
(new board)

