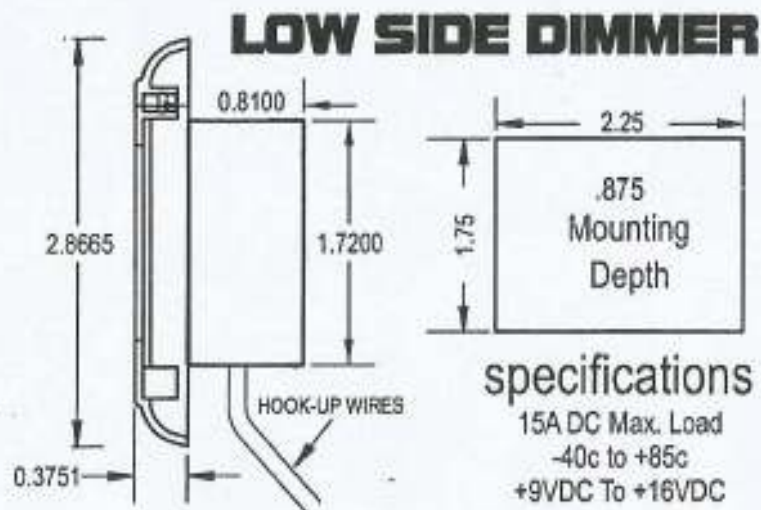


# HOOK-UP INSTRUCTIONS

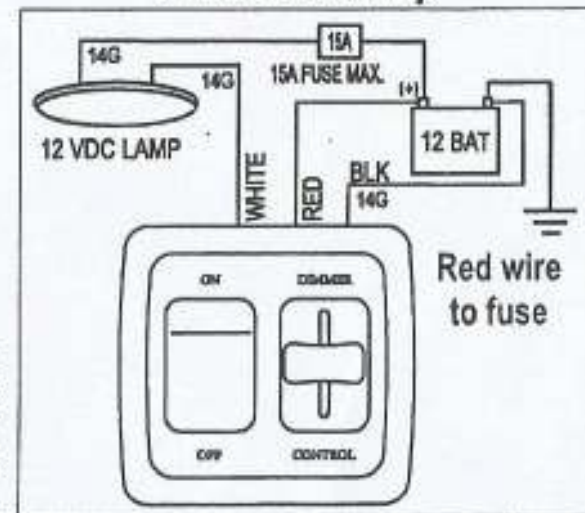


AH-SLD-1-LS01



Must be fused at no more than 15 amps.  
Power wire min. 14 gauge (may need 10).

### 3-Wire Hook-Up



An electronic 12v light dimmer is a PWM (Pulse Width Modulated) device. It turns the circuit from full ON to full OFF approximately 80 times per second. By varying the width of the pulses the circuit goes from full width pulse (maximum brightness) to a narrow width pulse (most dim). Depending on the load, each time it turns ON (80 times per second) a voltage surge occurs. If the wire is not heavy enough to handle these surges, a voltage drop occurs with each pulse. This can create noise, especially if entertainment devices are on the same fuse block. Incandescent lamps typically do not cause a problem. Halogen lamps are the leading cause of interference due to heavy turn on surges coupled with inadequate wiring. An ideal situation would be for the dimming circuit to have a dedicated wire of large enough capacity run directly from the battery post so it will not modulate the electrical system with PWM spikes.

The operating range of the Slide Dimmer is 9VDC to 16VDC and requires a battery regulated power supply voltage.



**American Technology**  
COMPONENTS, INCORPORATED

Look at American Technology... see the difference.  
2905 LaVonture Place • Elkhart, Indiana 46514 USA  
574.262.1258 • FAX 574.264.9138