



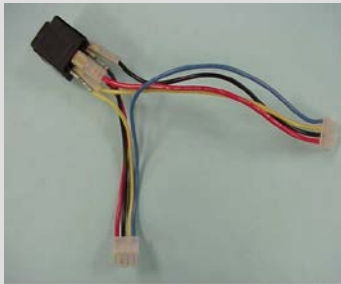
Kwiikee Level Best Touch Pad and Control Kit Identification

© Copyright Power Gear Issued: April, 2012

#82-L0517, Rev. 0C 10/13

NOTE

All of the Kwiikee Level Best Control Kits include a Power Harness (1510000097) as shown below.



Power Harness 1510000097

The Kwiikee Level Best Service Guide is document number: **KSG002**. This is available on our website at www.powergearus.com.

NOTE

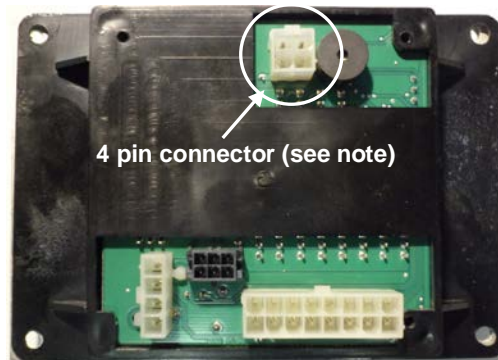
4 pin connector on back:
The 4 pin connector is used for an external dash light if optionally equipped by the OEM.

8 pin connector on back:
The 8 pin connector is used for the air dump and fill feature. It is also used for a remote auto mode feature and an external dash light. These features are optionally equipped by the OEM.

Level Best Touch Pad and Control Kit for Winnebago Only



Auto Mode Button



4 pin connector (see note)

906900427 Touch Pad Control

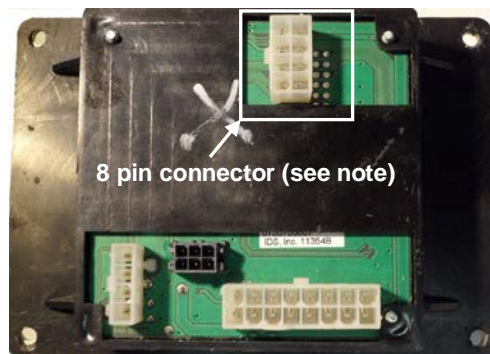
Touch Pad	1802839
Bezel	1602520
Module	1802925

1010001592 Control Kit Includes (see note):

Touch Pad Control	906900427
Power Harness	1510000097
TIP Sheet	3010001552



Auto Mode Button



8 pin connector (see note)

9010000053 Touch Pad Control

Touch Pad	1802839
Bezel	1602520
Module	1510000020

1010001594 Control Kit Includes (see note):

Touch Pad Control	9010000053
Power Harness	1510000097
TIP Sheet	3010001552



! NOTE

All of the Kwikee Level Best Control Kits include a Power Harness (1510000097) as shown below.

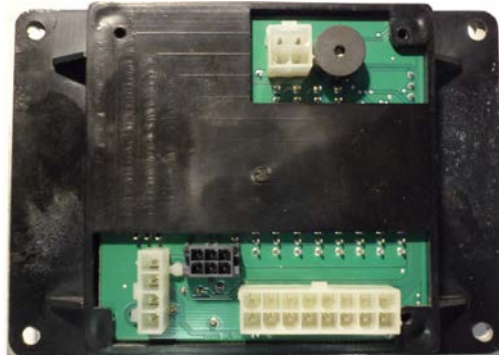


Power Harness 1510000097

Level Best Touch Pad and Control Kit for Winnebago Only



906900406 Touch Pad Control	
Touch Pad	1802838
Bezel	1602520
Module	1802925

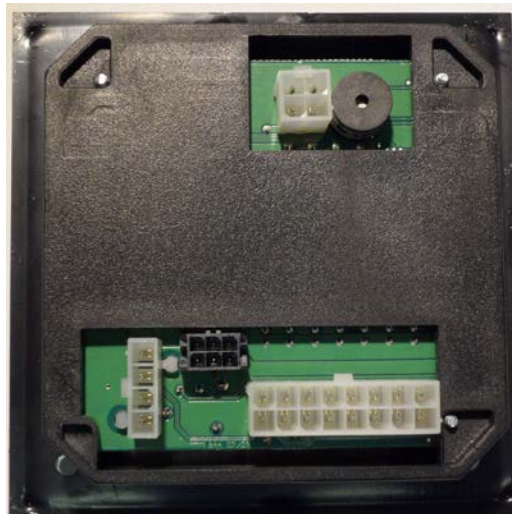


1010001589 Control Kit Includes (see note):	
Touch Pad Control	906900406
Power Harness	1510000097
TIP Sheet	3010001552

Level Best Touch Pad and Control Kit for Aftermarket Installed Systems



906900404 Touch Pad Control	
Touch Pad	1802837
Bezel	1602510
Module	1802925



1010001588 Control Kit Includes (see note):	
Touch Pad Control	906900404
Power Harness	1510000097
TIP Sheet	3010001552

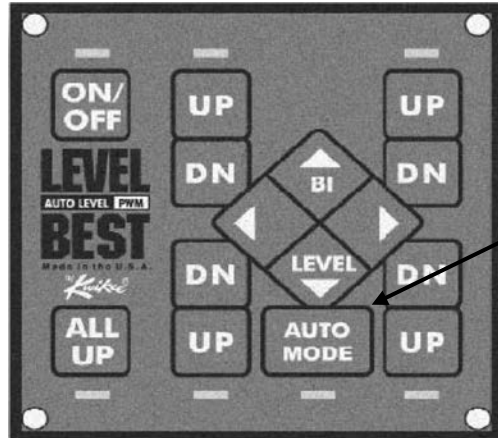
Level Best Touch Pad and Control Kit for Aftermarket Installed Systems

NOTE

All of the Kwikee Level Best Control Kits include a Power Harness (1510000097) as shown below.

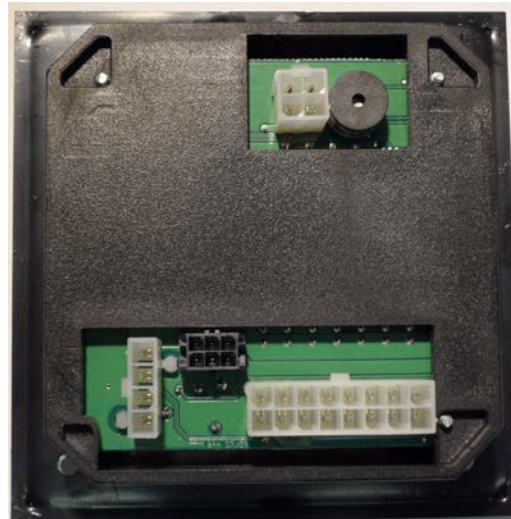


Power Harness 1510000097

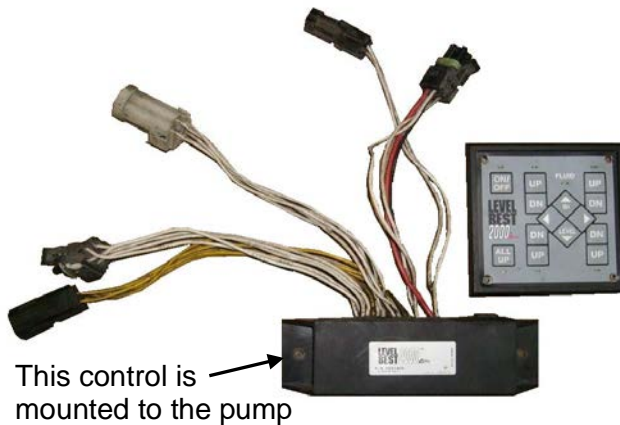


Auto Mode Button

906900401 Touch pad Control	
Touch Pad	1802836
Bezel	1602510
Module	1802925



1010001590 Control Kit Includes (see note):	
Touch Pad Control	906900401
Power Harness	1510000097
TIP Sheet	3010001552



This control is mounted to the pump

906916000
This control is **Obsolete** and replaced with kit part number **906915120**.



Phone style connector on back

906915120 Control Kit includes (see note):			
Touch Pad	1802837	Standard harness	1809896
Wire harness for solenoids	1809879	Emergency retract harness	1809908
Harness from control to pump 16'	1809889	Daisy chain harness	1809936
Control	1802925	Install instructions	1422271